



Pennsylvania
Duane Morris Plaza
30 S. 17th Street
Suite 830
Philadelphia, PA 19103
Phone
267.804.7286

Delaware
315 S. Chapel Street
Newark, DE 19711
Phone
302.738.7172
Fax
302.738.7175
www.dedc-eng.com

DELAWARE VETERANS HOME
EMERGENCY GENERATOR REPLACEMENT
OMB/DFM CONTRACT # MJ2009000005R
ADDENDUM #2 RE-BID

QUESTIONS:

1. Will stairs be required at the 8,000 gallon tank?

Answer: Yes. Tank is to be provided with ladder and catwalk assembly provided by tank manufacturer for installation by the contractor. Please see the included basis of design ladder and catwalk assembly attached.

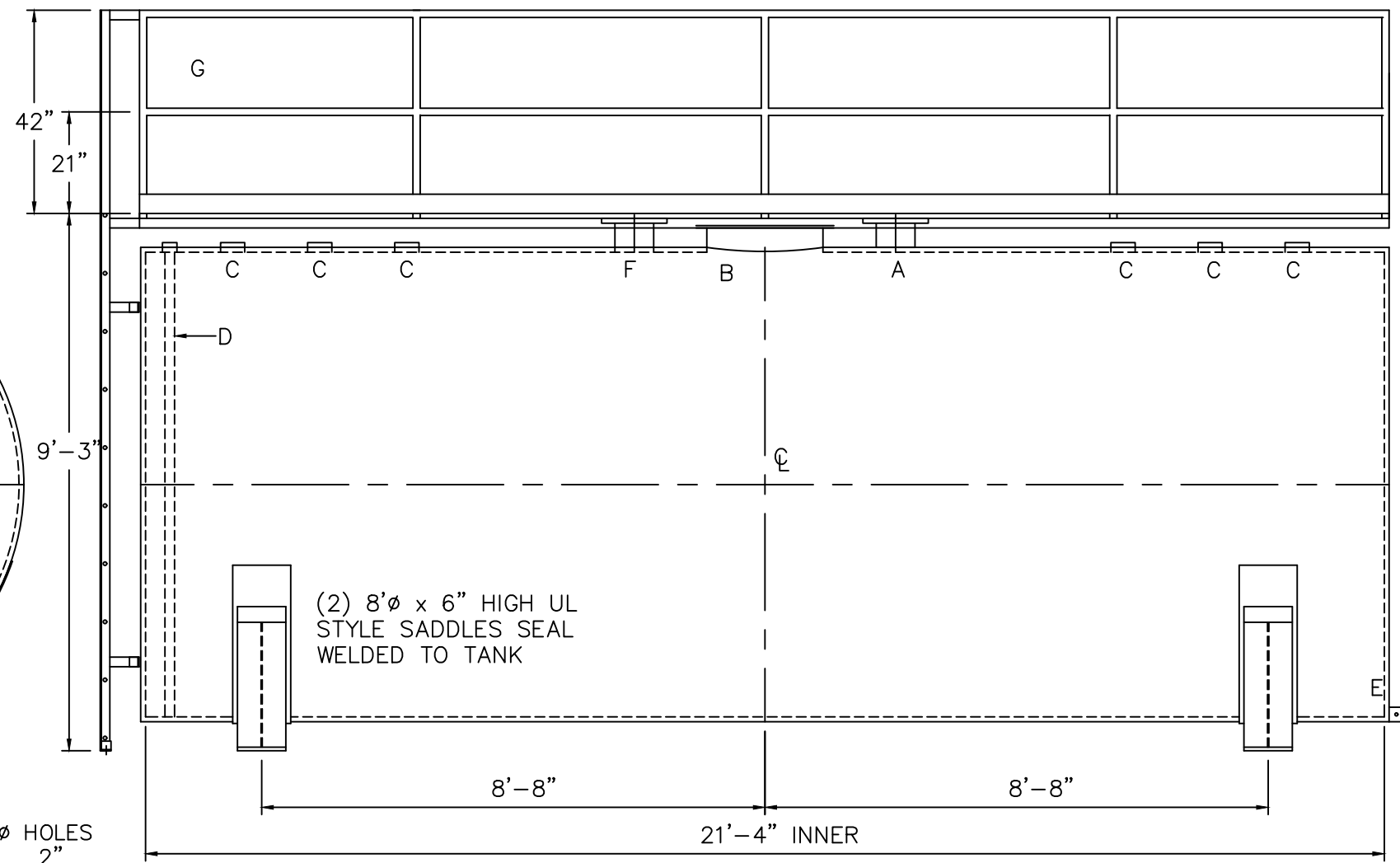
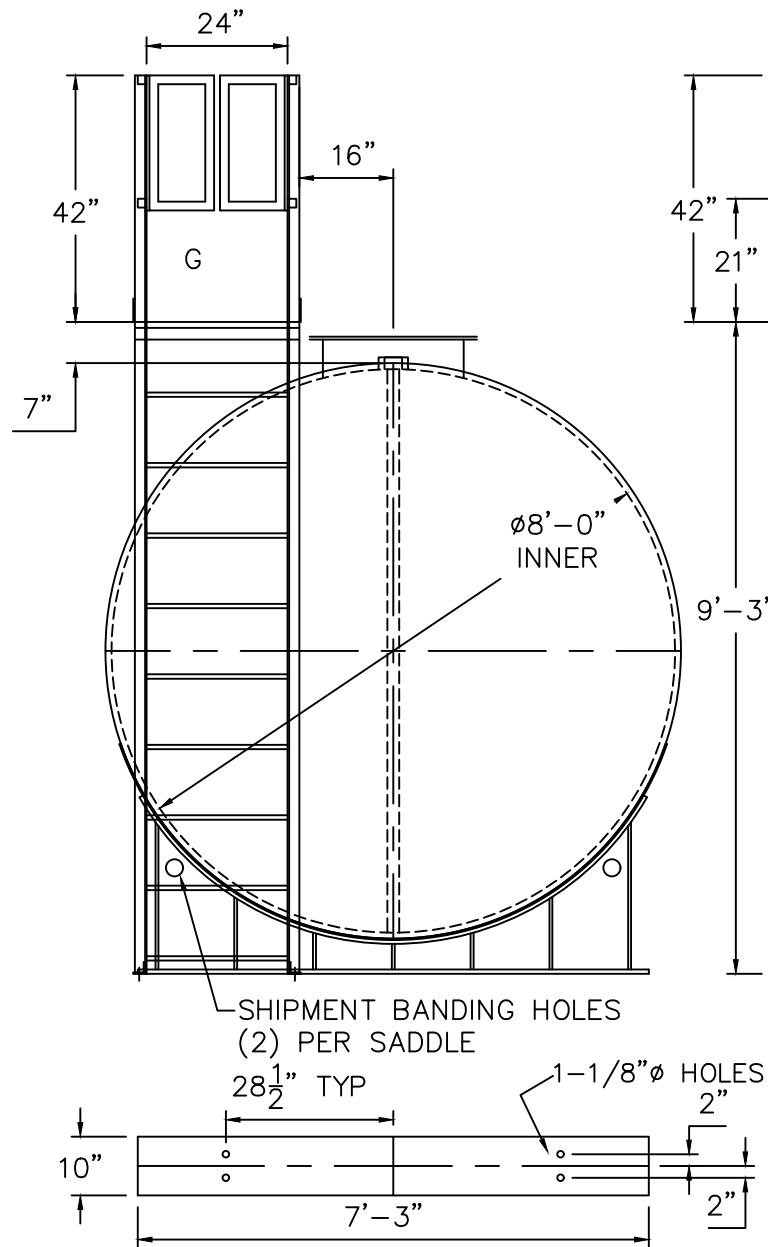
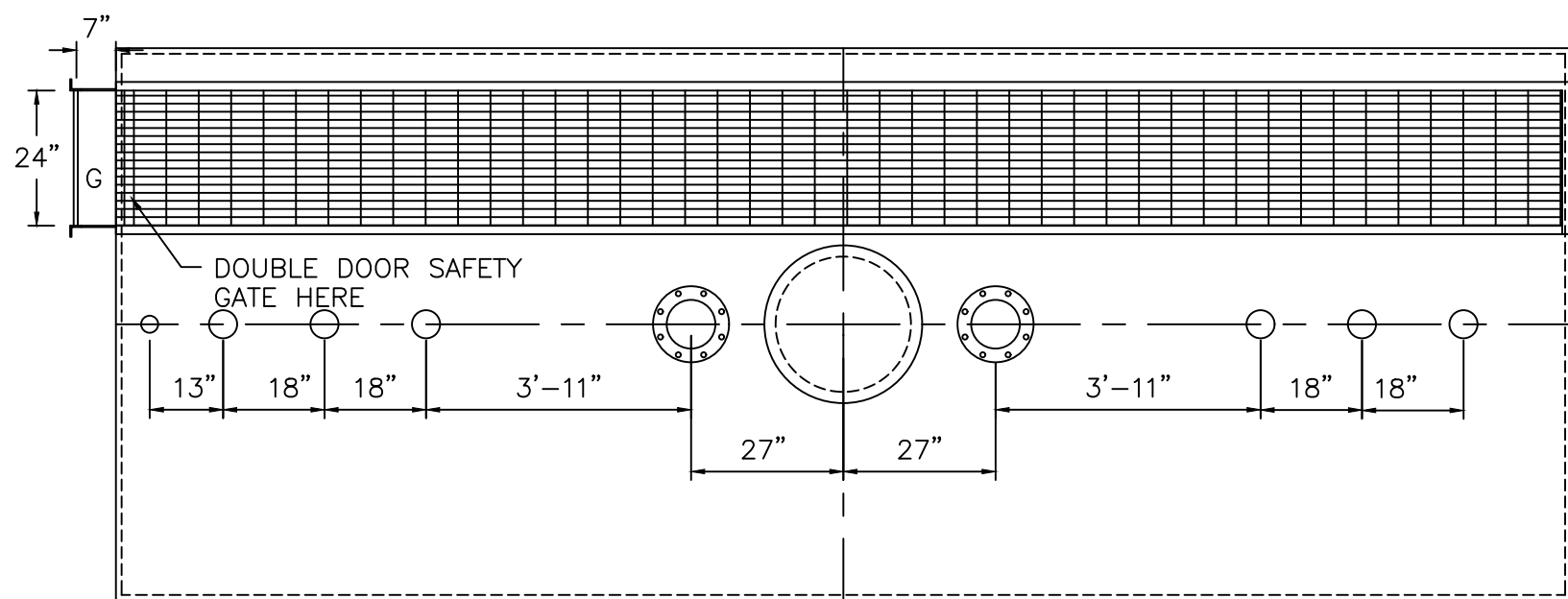
Summarized By: DEDC, LLC
David Barton
Date: November 4, 2020

NOTE: ALL RIGHTS RESERVED. THIS DRAWING MUST NOT BE REPRODUCED IN ANY FORM WITHOUT THE WRITTEN PERMISSION OF HIGHLAND TANK®. HIGHLAND TANK® SHALL BE RESPONSIBLE ONLY FOR ITEMS INDICATED ON THIS FABRICATION DRAWING UNLESS OTHERWISE NOTED. CUSTOMER IS RESPONSIBLE FOR VERIFYING CORRECTNESS OF SIZE AND LOCATION OF FITTINGS, ACCESSORIES, AND COATINGS SHOWN ON THIS DRAWING.

TOUCH UP OF FINISHED PAINT IS REQUIRED BY INSTALLATION CONTRACTOR. TOUCH UP PAINT SHIPPED WITH TANK.

SHIPPING LUGS AS NEEDED

ADDITIONAL SAFETY EQUIPMENT AVAILABLE FROM HIGHLAND TANK FOR SAFE TANK ACCESS



DESIGN DATA

CAPACITY - 8,000 GALLONS
TYPE - DOUBLE WALL - TYPE I
NO. REQ. - 1
OPERATING PRESSURE - ATMOSPHERIC
SPECIFIC GRAVITY = 1.0
TANK MATERIAL - MILD CARBON STEEL
THICKNESS - INNER- HEADS: 5/16" SHELL: 1/4"
THICKNESS - OUTER- HEADS: 7 GA SHELL: 7 GA
CONSTRUCTION - INNER - LAP WELD OUTSIDE ONLY
OUTER - LAP WELD OUTSIDE ONLY
TANK TEST - INNER - 5 PSIG
OUTER - 2 PSIG AND FULL VACUUM
INT. FINISH - NONE
EXT. FINISH - SP6 BLAST, WHITE URETHANE PAINT
LABEL - UL 142

LEGEND

A	8" FFSO 150# FLANGE THROUGH OUTER SHELL ONLY, MARK WITH SPECIAL WARNING LABEL - INTERSTITIAL EMERGENCY VENT
B	24" X 1/4" PLATE TIGHT BOLT MANWAY WITH 1/8" THICK FIBREFLEX GRADE "A" GASKET
C	4" FITTING
D	2" INTERNAL INTERSTITIAL MONITOR PIPE
E	3" x 3" PLATE w/ 1/2"Ø (MIN.) HOLE ON CENTER (GROUNDING LUG-ONE REQ'D)
F	8" FFSO 150# FLANGE - PRIMARY EMERGENCY VENT
G	STD LADDER AND CATWALK ASSEMBLY PAINTED SAFETY YELLOW AND SHIPPED LOOSE FOR INSTALLATION ON SITE BY OTHERS

Highland Tank

UNLESS NOTED, TOLERANCES ARE +/- 1"

8,000 GAL 96"Ø AG DW HORIZONTAL

CUSTOMER: _____

PROJECT: _____

QUOTE NO: _____

SCALE: 3/8"=1'-0" DATE: _____ DWG. BY: _____ DWG. NO: 115432

CHK'D BY: _____