

ASI-13

Date: August 9, 2022

Project: DelDOT Georgetown Administration Building

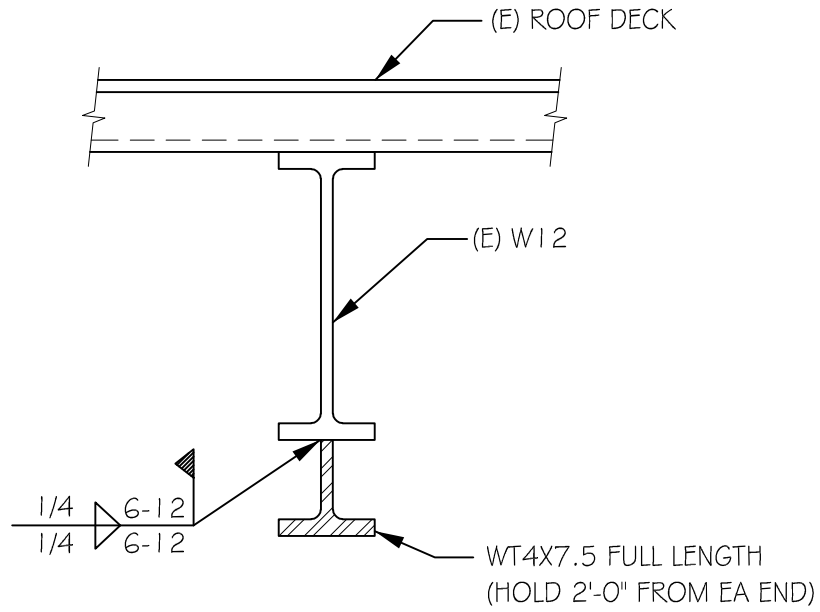
Project No: T202180102

SJ Project No: 20069

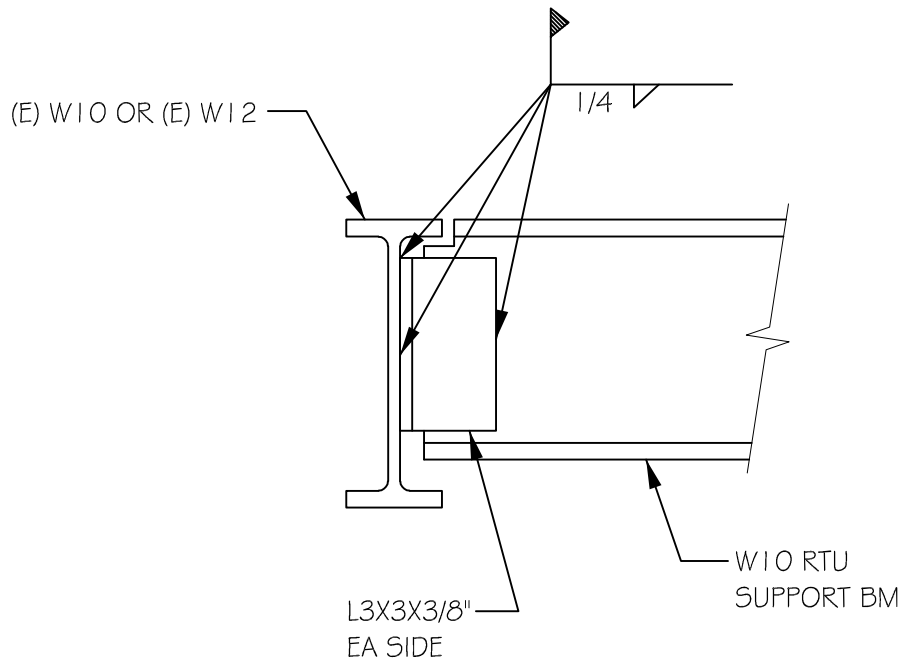
The work herein shall be considered part of the bid documents for the referenced project and carried out in accordance with the following supplemental instructions issued in accordance with the Contract Documents without change in Contract Sum or Contract Time. Acknowledge receipt of addendum on the bid form as indicated.

Additional RTU Framing

Provide additional framing at new RTU curb locations. See sketches SK-2 & SK-3 for revised structural drawings.



1
SK-3 REINFORCE EXISTING BEAM
1 1/2" = 1'-0"



2
SK-3 NEW RTU SUPPORT BEAM CONNX.
1 1/2" = 1'-0"

08/04/22
DATE SHEET NO.
20069 SK-3
PROJECT NO.

DELAWARE
GEORGETOWN ADMINISTRATION
BUILDING
RENOVATION / EXPANSION
23697 DUPONT BLVD, GEORGETOWN, DELAWARE 19947

STUDIOJAED
ARCHITECTS ■ ENGINEERS ■ FACILITIES SOLUTIONS
www.studiojaed.com

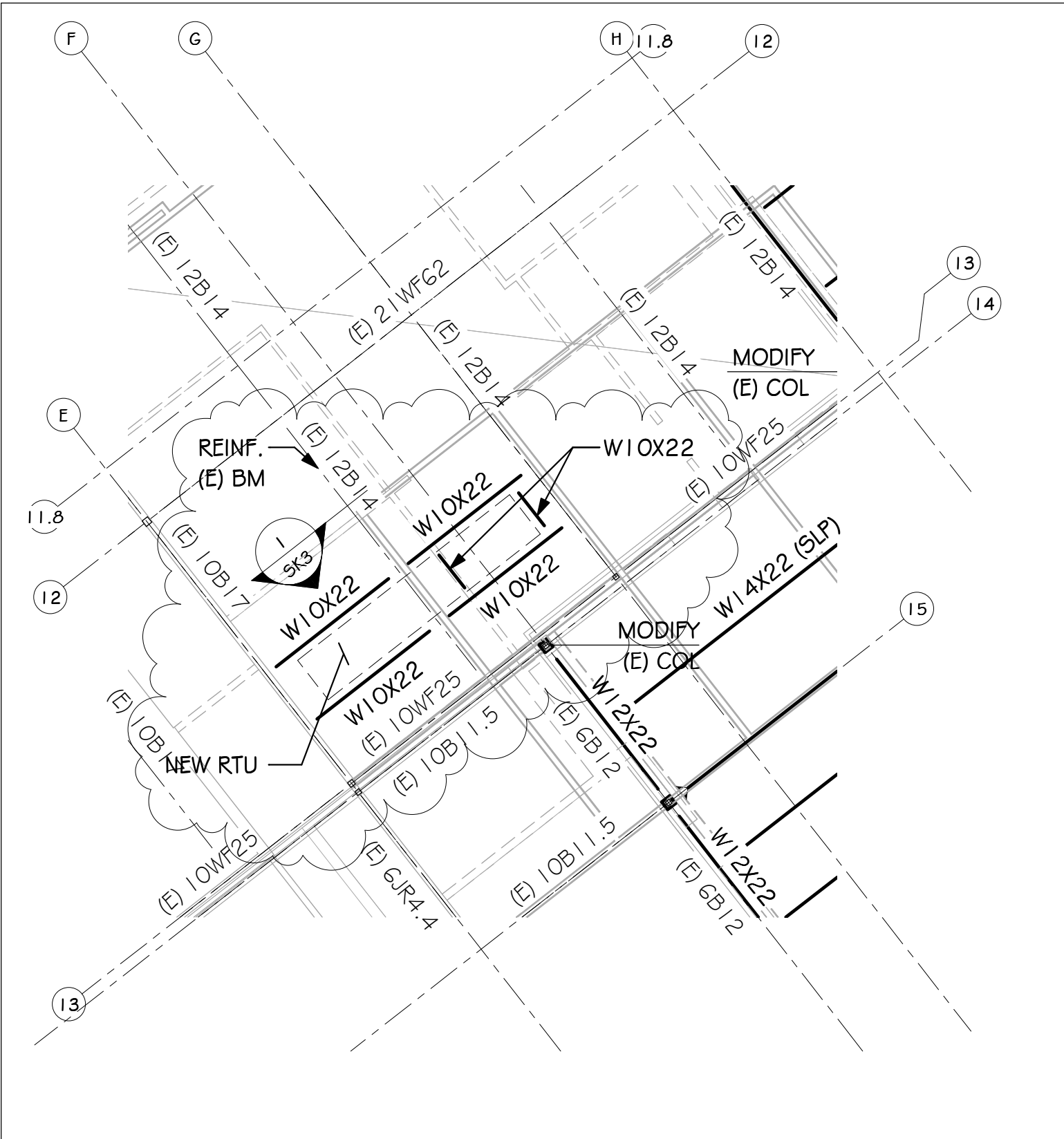
STUDIOJAED
1000 MARKET STREET, SUITE 110
PHILADELPHIA, PA 19107
TEL: 215.575.1100 FAX: 215.575.1101

STUDIOJAED
1000 MARKET STREET, SUITE 110
PHILADELPHIA, PA 19107
TEL: 215.575.1100 FAX: 215.575.1101

STUDIOJAED
1000 MARKET STREET, SUITE 110
PHILADELPHIA, PA 19107
TEL: 215.575.1100 FAX: 215.575.1101

Professional seal of a registered professional engineer in the State of Delaware. No other person shall use this seal for the purpose of practicing engineering in this State. The seal shall be used only in connection with the professional services of the holder thereof.





PI
SK-2

PARTIAL ROOF FRAMING PLAN

1/8" = 1'-0"

08/04/22
DATE
20069
PROJECT NO.

SHEET NO.
SK-2

DELAWARE
GEORGETOWN ADMINISTRATION
BUILDING
RENOVATION / EXPANSION
23697 DUPONT BLVD, GEORGETOWN, DELAWARE 19947

STUDIOJAED
ARCHITECTS ■ ENGINEERS ■ FACILITIES SOLUTIONS

DELAWARE OFFICE: 200 PRINCIPALS ROAD, STE. 110, SEAFORD, DELAWARE 19376
PROVIDENCE OFFICE: 40 WESTFOURTH STREET, STE. 403, PROVIDENCE, RHODE ISLAND 02903
MARYLAND OFFICE: 217 HANCOCK STREET, P.O. BOX 204, COLUMPTON, MARYLAND 21033

THIS DRAWING IS THE PROPERTY OF STUDIOJAED. IT IS TO BE USED ONLY FOR THE PROJECT AND SITE SPECIFICALLY IDENTIFIED HEREIN. NO PART OF THIS DRAWING IS TO BE REPRODUCED OR TRANSMITTED IN ANY FORM OR BY ANY MEANS, ELECTRONIC OR MECHANICAL, INCLUDING PHOTOCOPYING, RECORDING, OR BY ANY INFORMATION STORAGE AND RETRIEVAL SYSTEM, WITHOUT THE WRITTEN PERMISSION OF STUDIOJAED.

3 Revision 3