

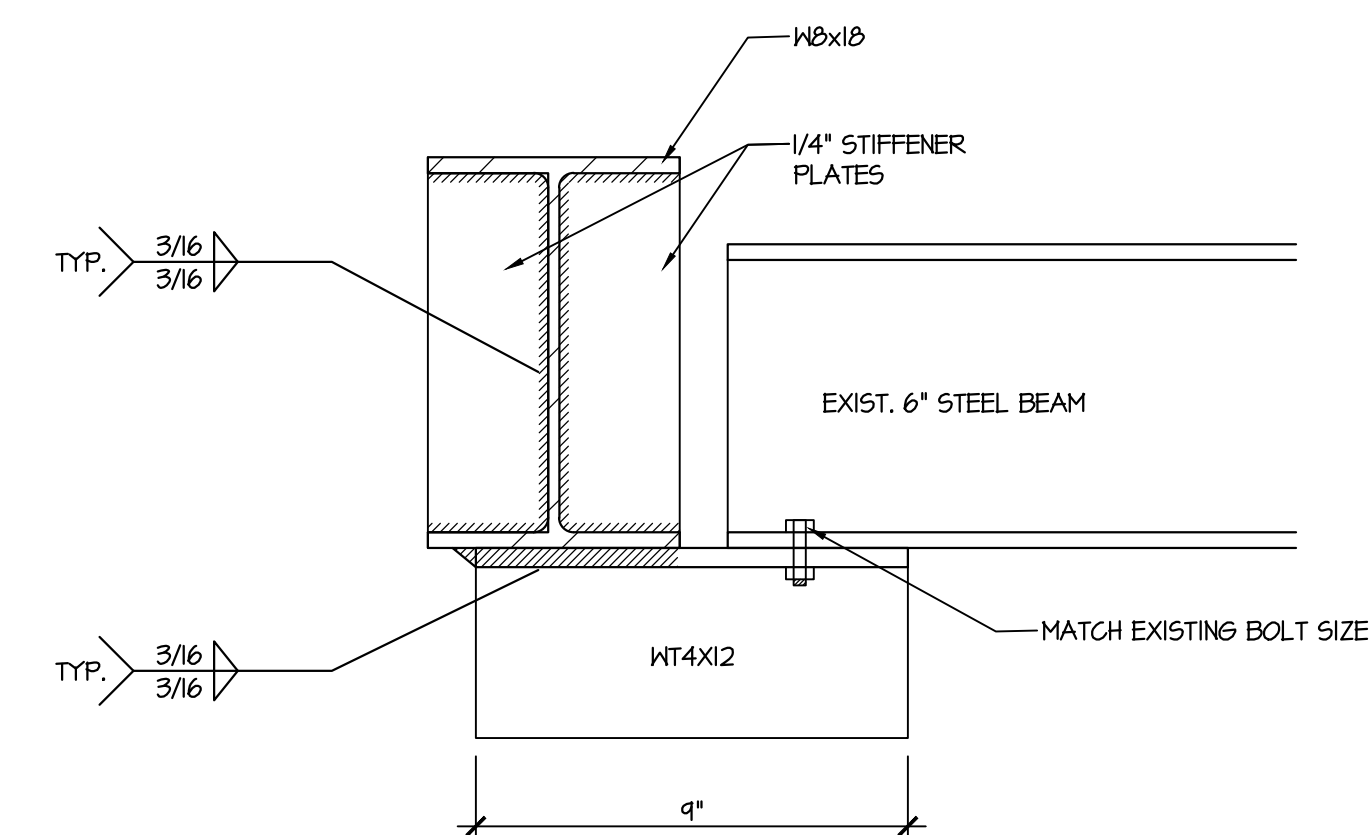
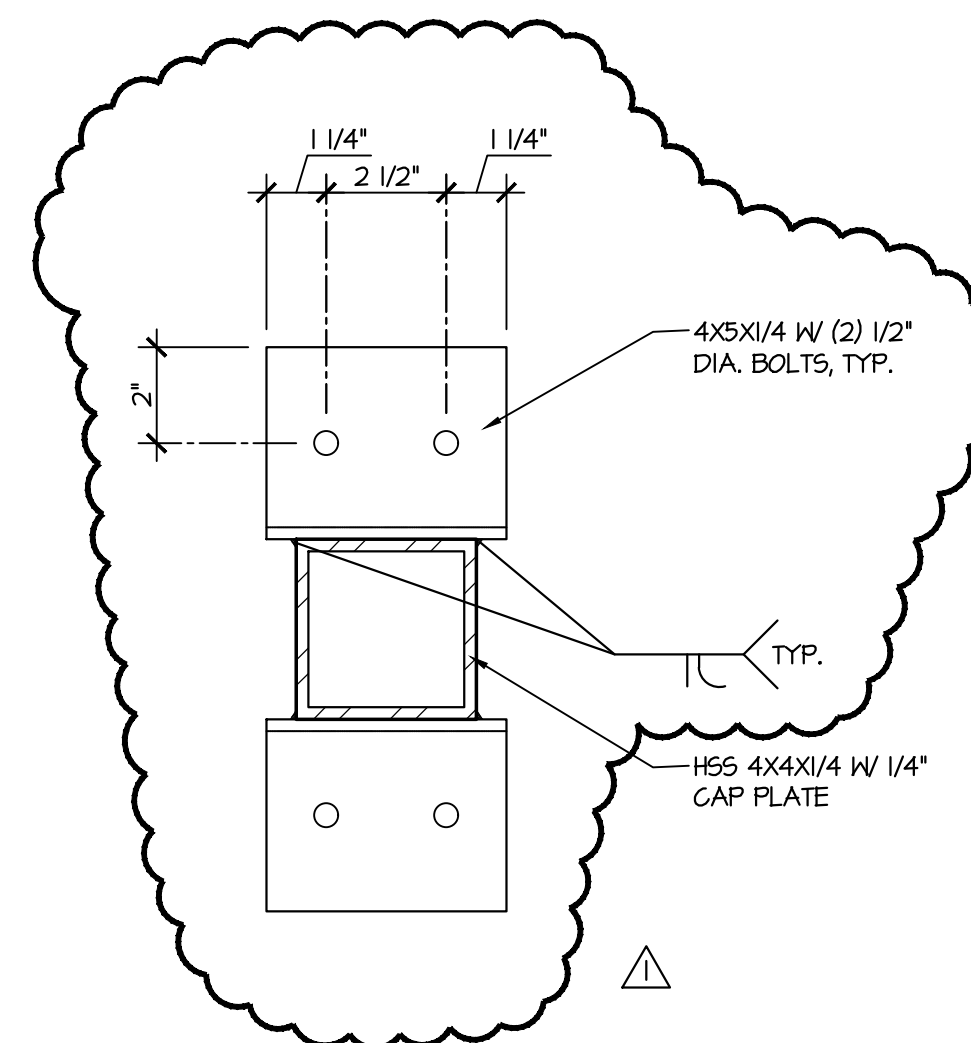
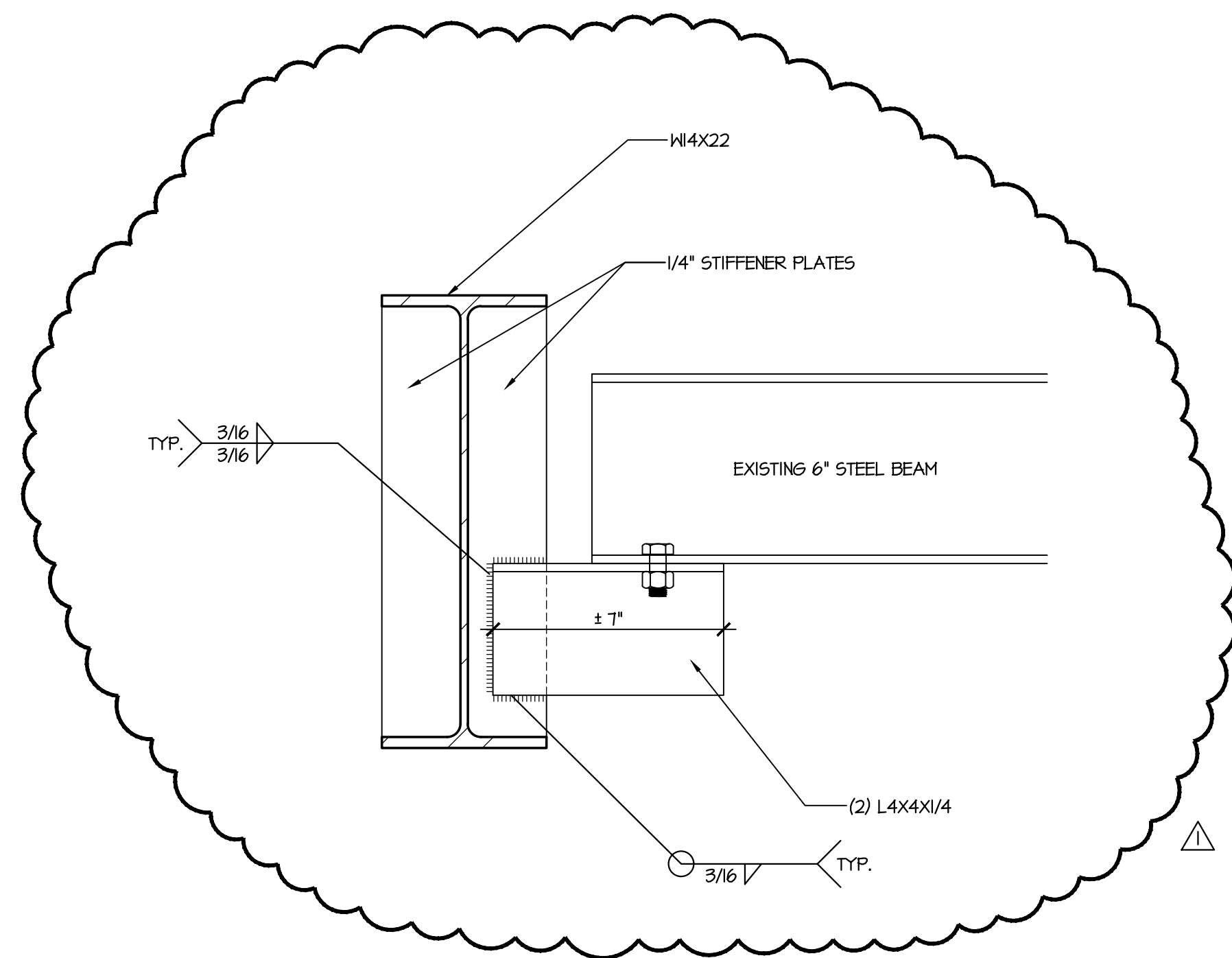
General Notes:

Project:
DELAWARE HOSPITAL FOR THE CHRONICALLY ILL
PRICKETT BUILDING REPAIR
 100 SUNNYSIDE ROAD
 SMYRNA, DELAWARE

Set No.:	Sheet Title:	Sheet No.:
BID SET	FRAMING PLAN AND DETAILS - ALTERNATE	
Proj. No.:	Scale:	Date:
0506B042.H02	AS NOTED	
Dwn. By:	Date:	
PJT	02/17/22	

THIS DRAWING, THE DESIGN AND CONSTRUCTION FEATURES DISCLOSED ARE PROPRIETARY TO DAVIS, BOWEN & FRIEDEL, INC. AND SHALL NOT BE ALTERED OR REUSED WITHOUT WRITTEN PERMISSION. COPYRIGHT © 2022

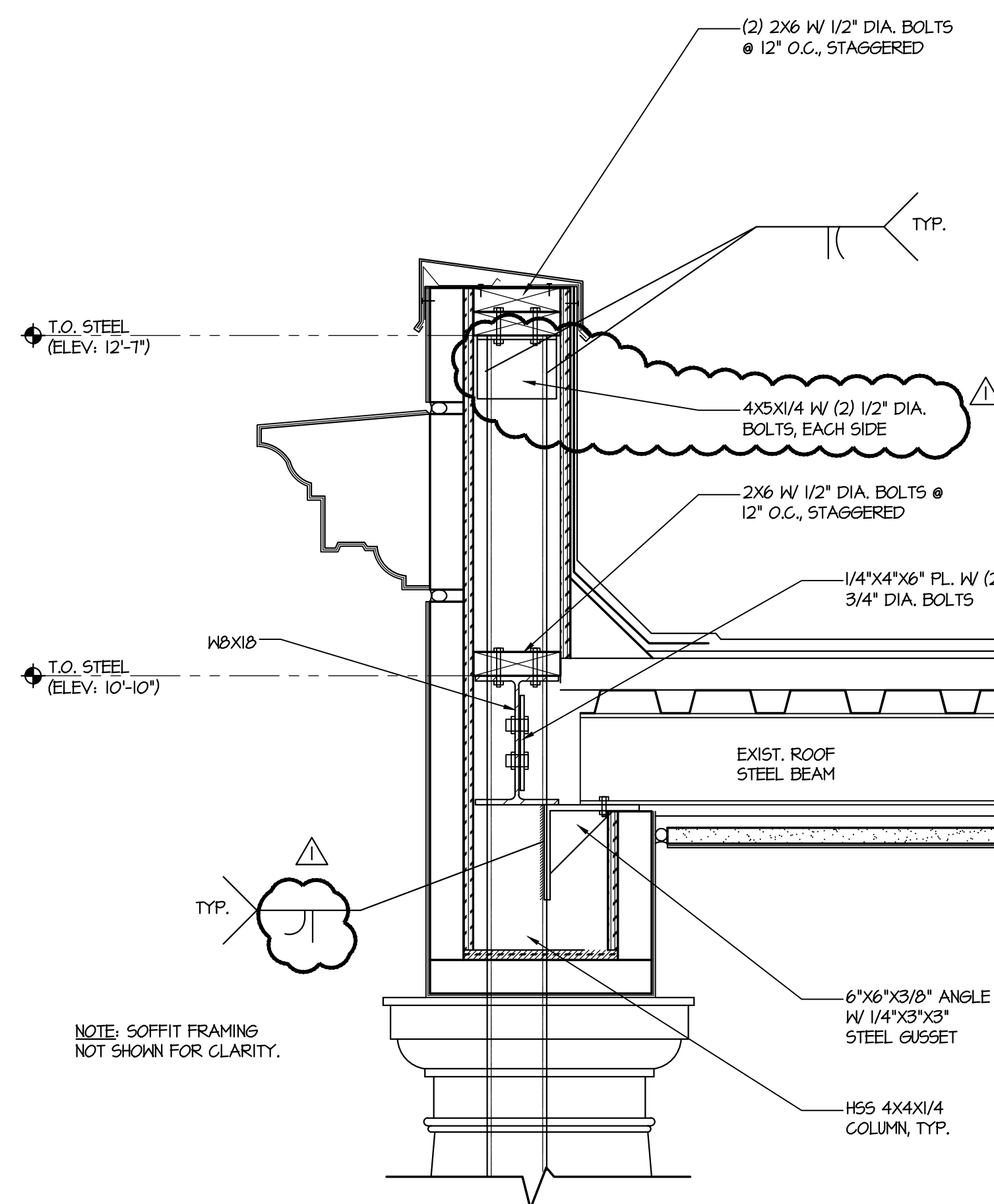
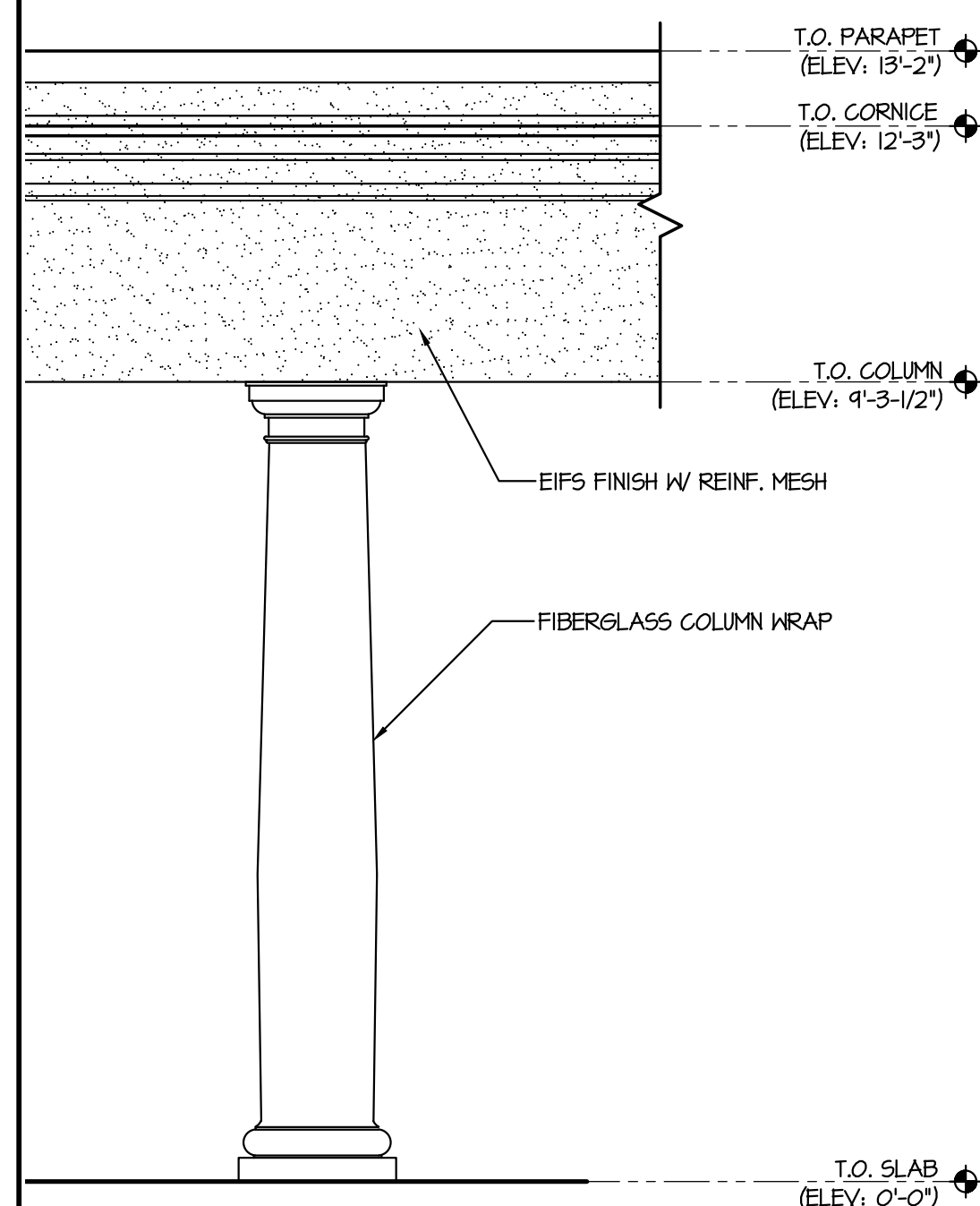
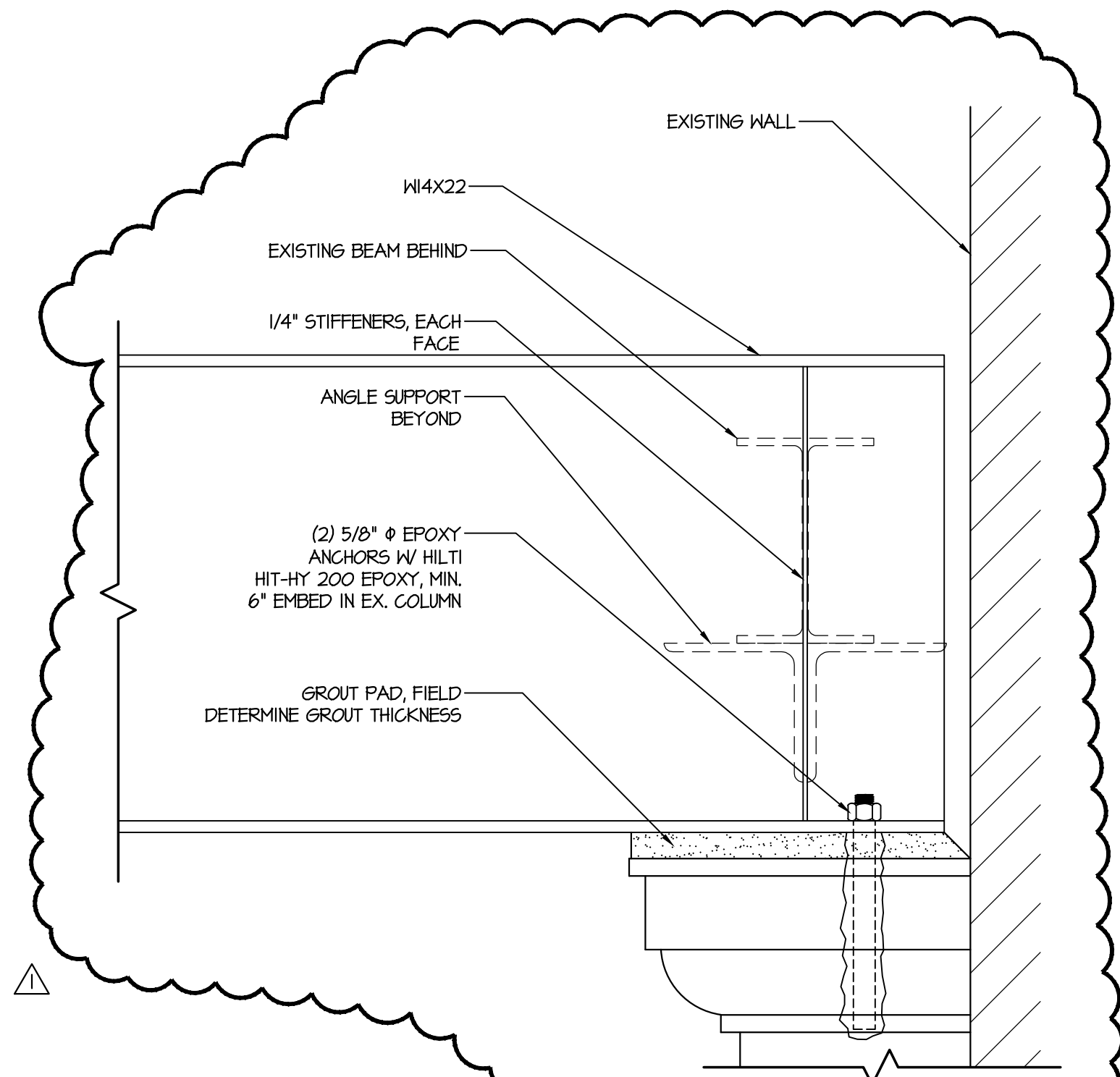
S101A



G1 MID-SPAN BEAM SUPPORT DETAIL

G10 COLUMN TOP DETAIL

G15 MID-SPAN BEAM SUPPORT DETAIL



O1 BEAM SUPPORT DETAIL @ COLUMN

O10 PORTICO PARTIAL ELEVATION

O15 COLUMN/BEAM CONNECTION DETAIL