

General Notes:

--	--

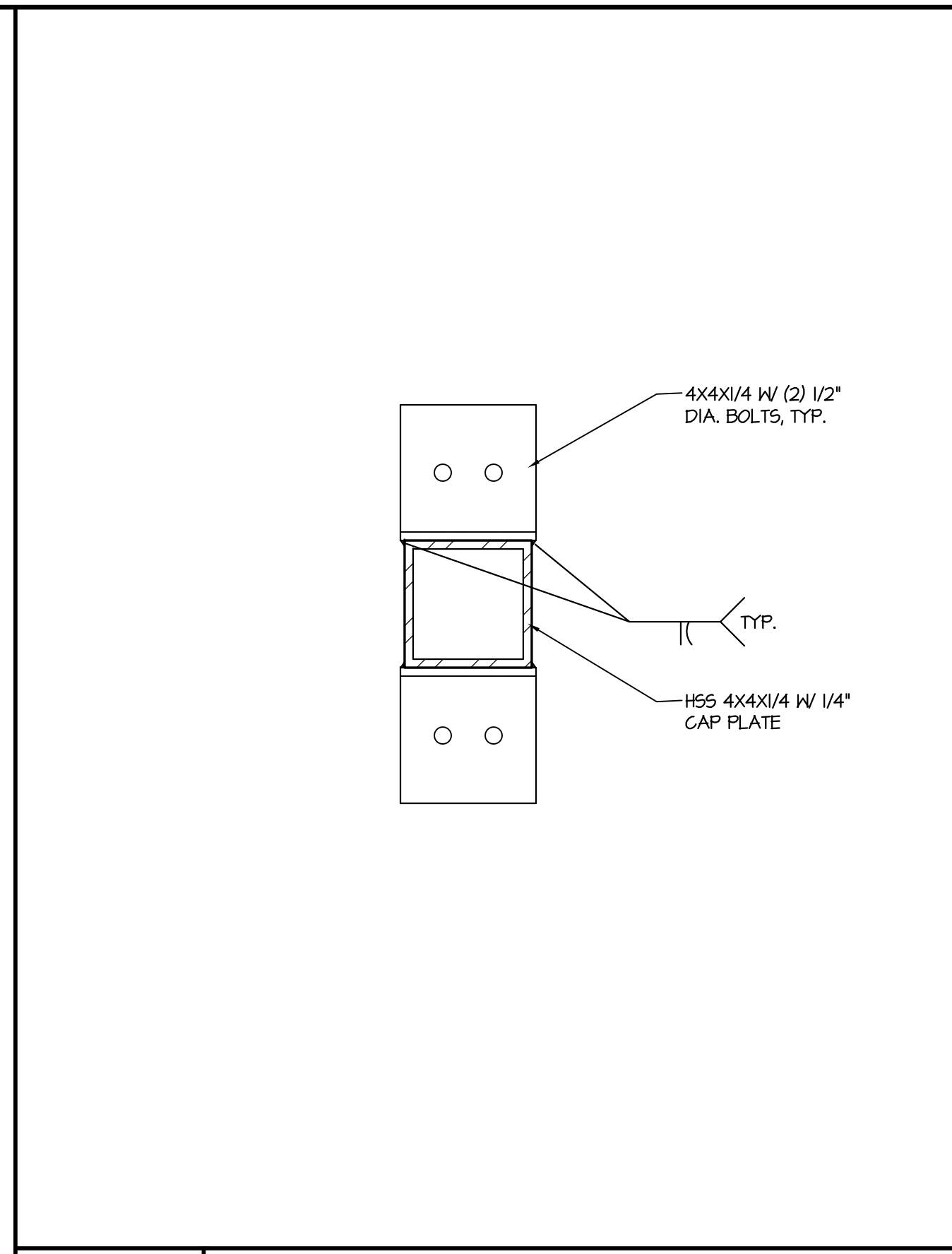
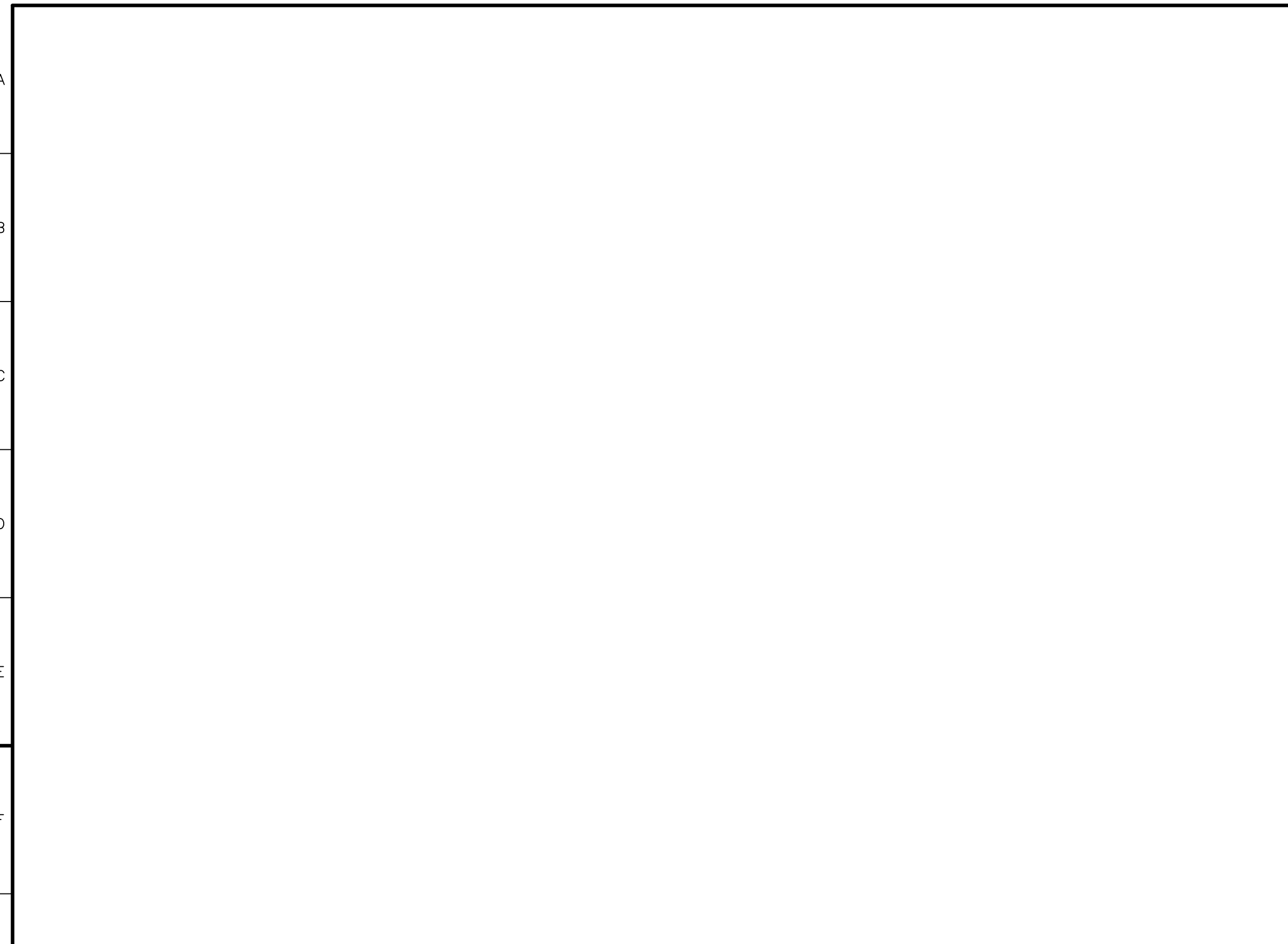
Revision	

Project:
DELAWARE HOSPITAL FOR THE CHRONICALLY ILL
PRICKETT BUILDING REPAIR
100 SUNNYSIDE ROAD
SMYRNA, DELAWARE

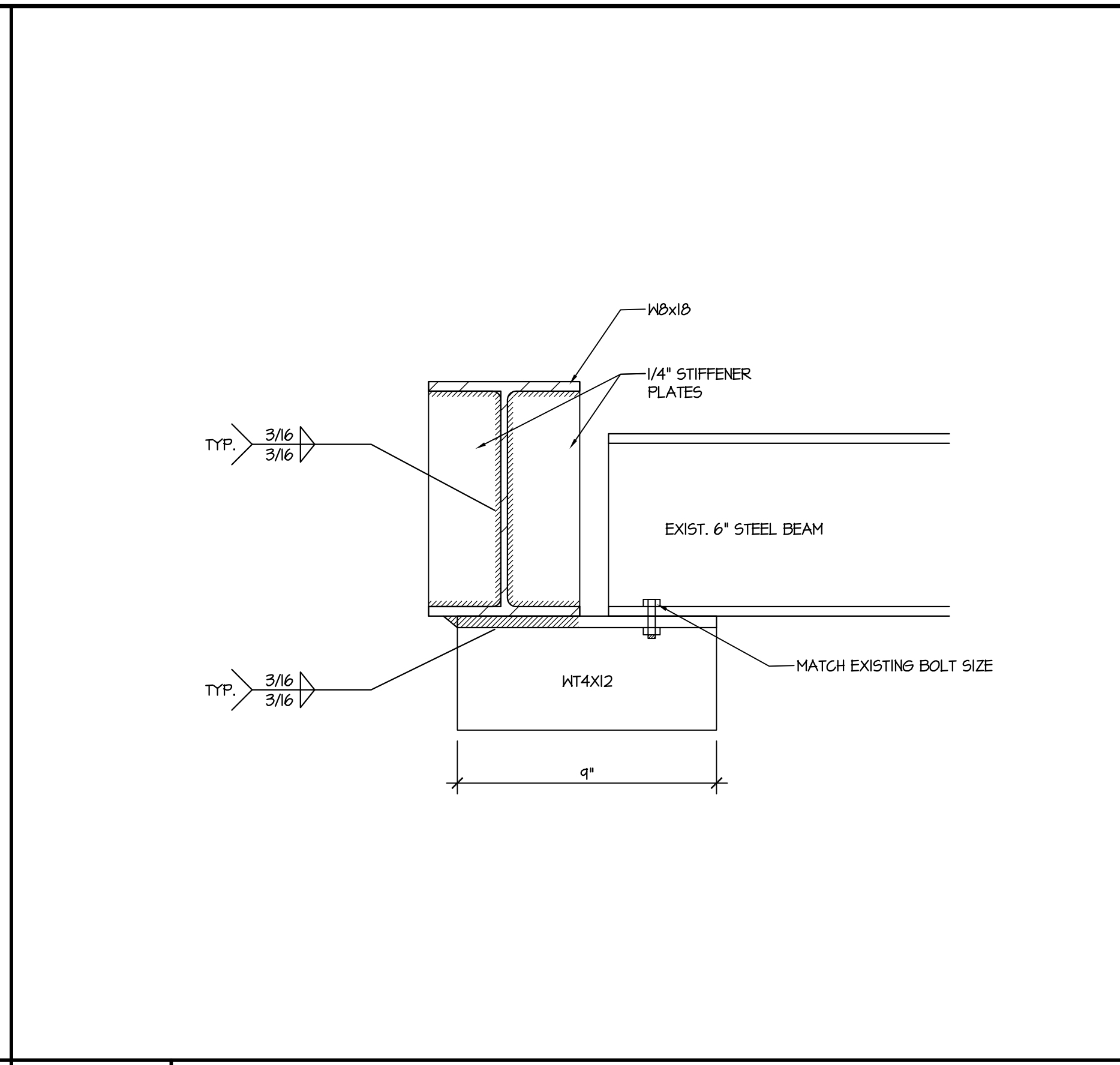
Set No.: BID SET	Sheet Title: FRAMING PLAN AND DETAILS - ALTERNATE
Proj. No.: 0506B042.H02	Scale: AS NOTED
Dwn. By: PJT	Date: 08/17/22

THIS DRAWING, THE DESIGN AND CONSTRUCTION FEATURES DISCLOSED ARE PROPRIETARY TO DAVIS, BOWEN & FRIEDEL, INC. AND SHALL NOT BE ALTERED OR REUSED WITHOUT WRITTEN PERMISSION.
COPYRIGHT © 2022

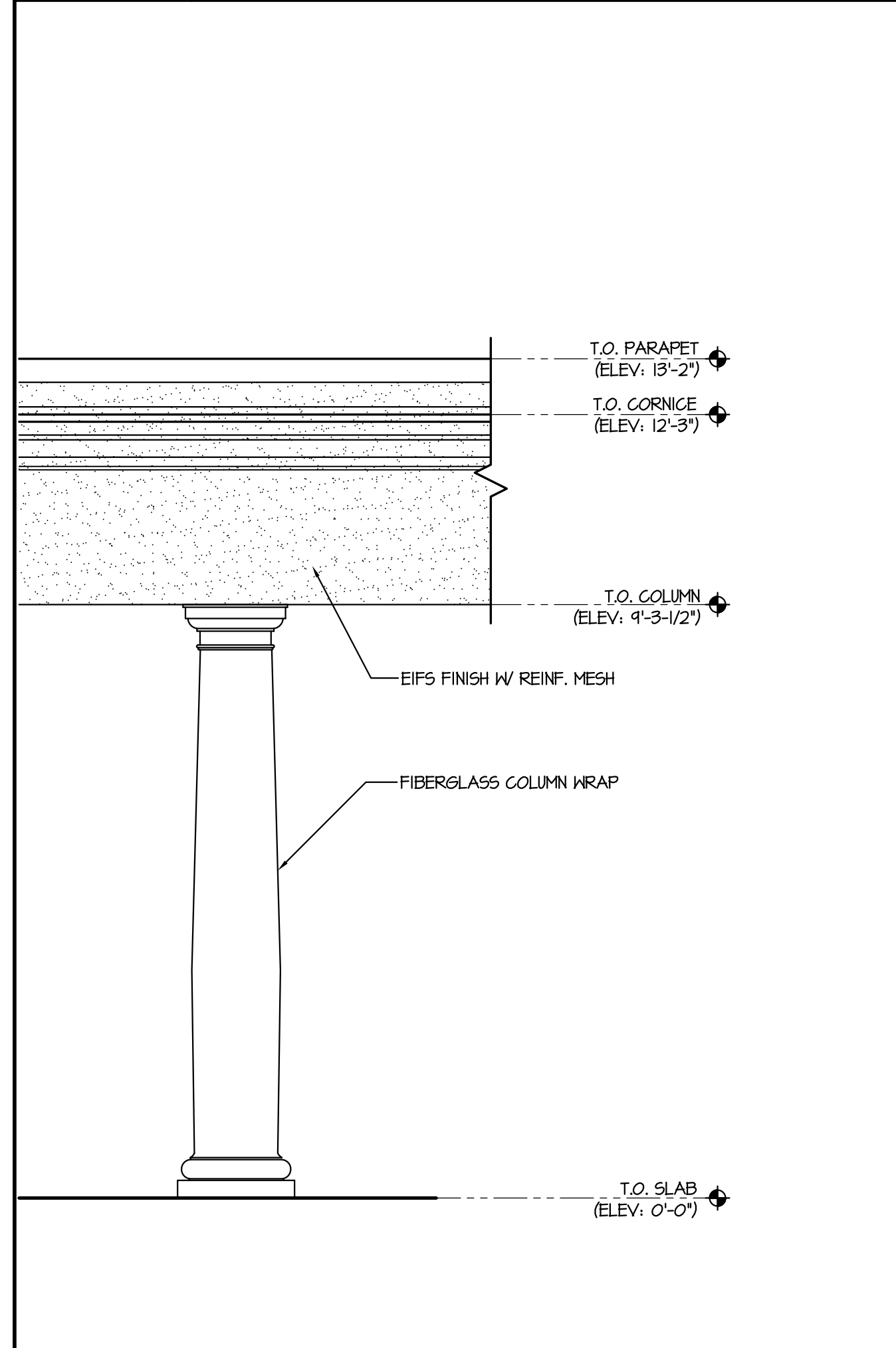
S101A



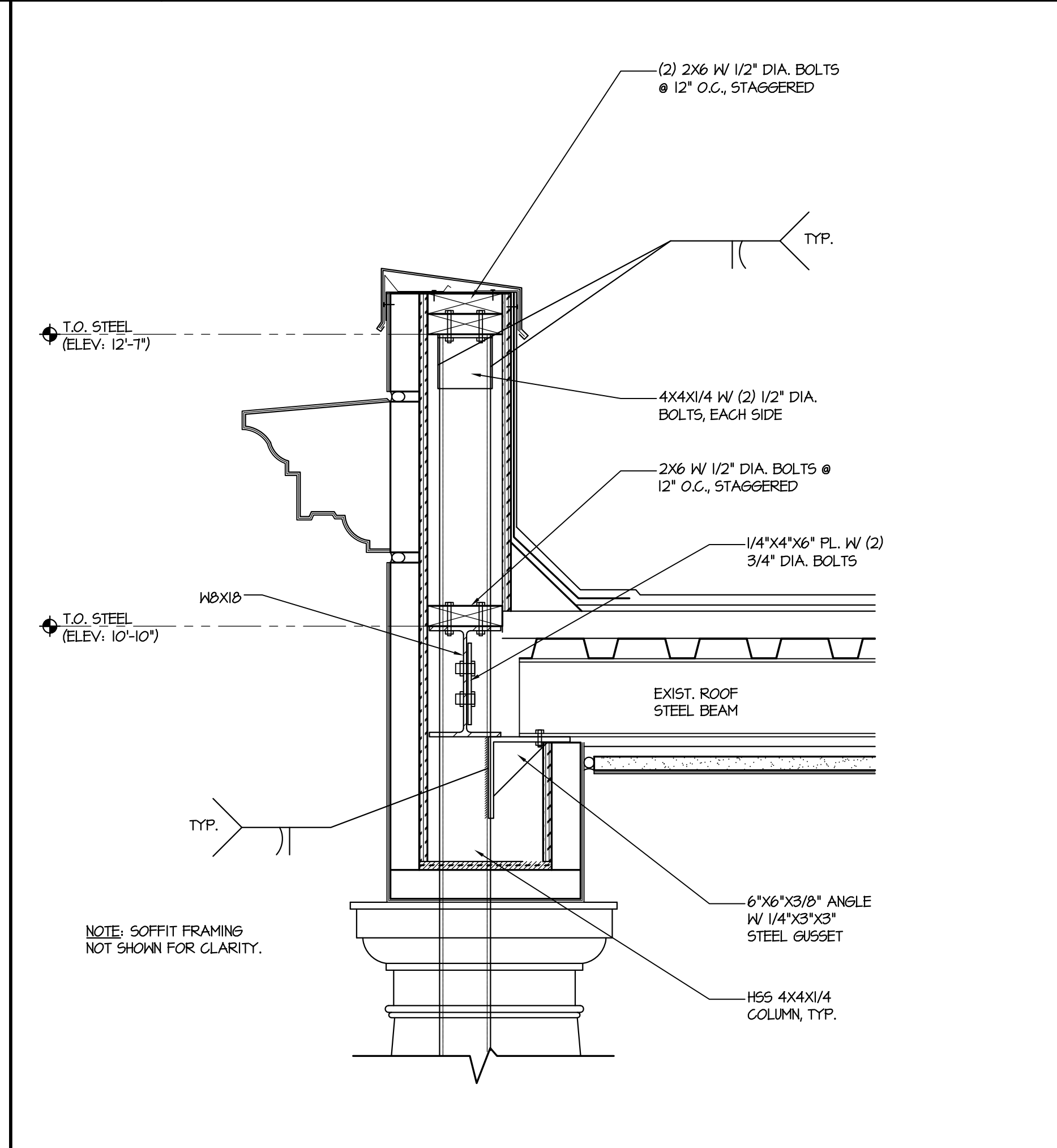
G10 COLUMN TOP DETAIL
3" = 1'-0"



G15 MID-SPAN BEAM SUPPORT DETAIL
3" = 1'-0"



O10 PORTICO PARTIAL ELEVATION
1/2" = 1'-0"



O15 COLUMN/BEAM CONNECTION DETAIL
1-1/2" = 1'-0"