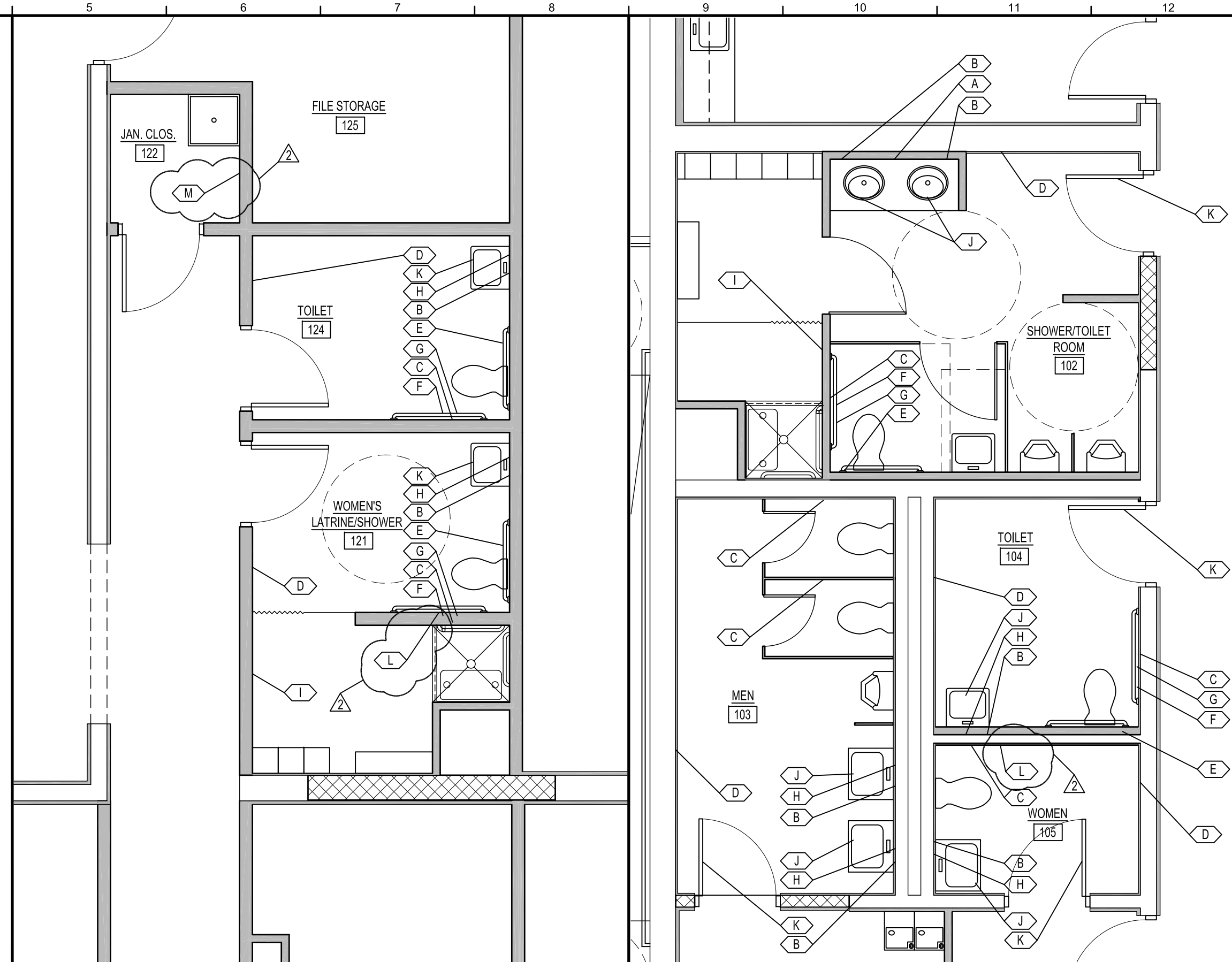


TOILET ACCESSORIES SCHEDULE

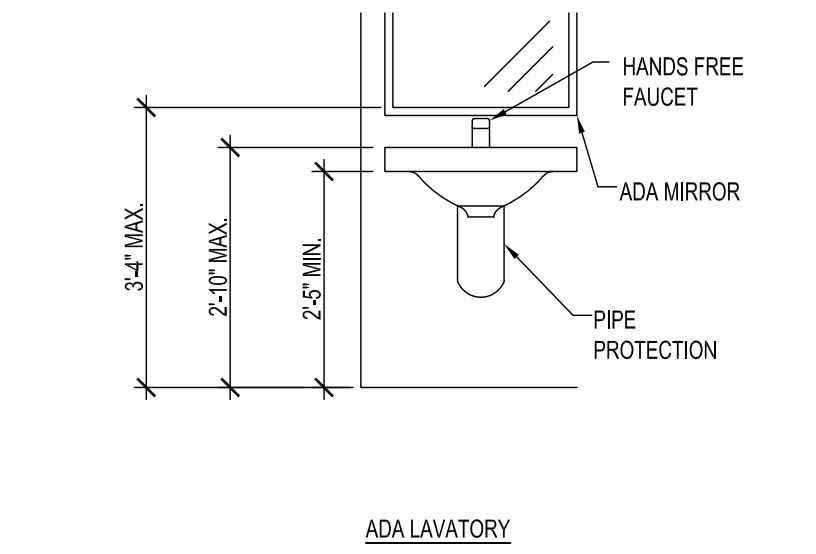
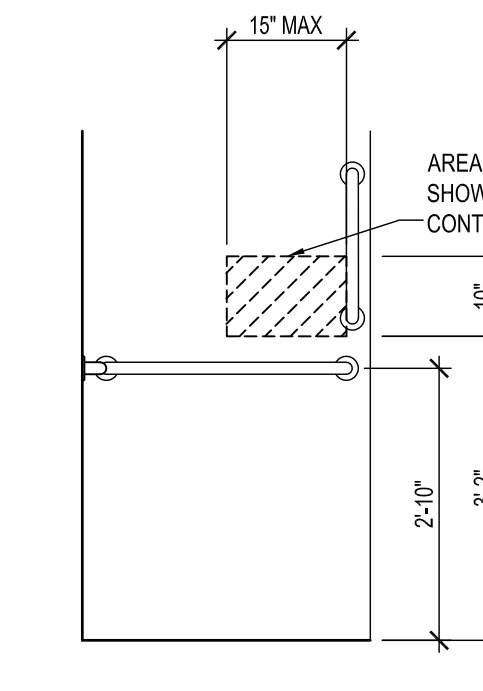
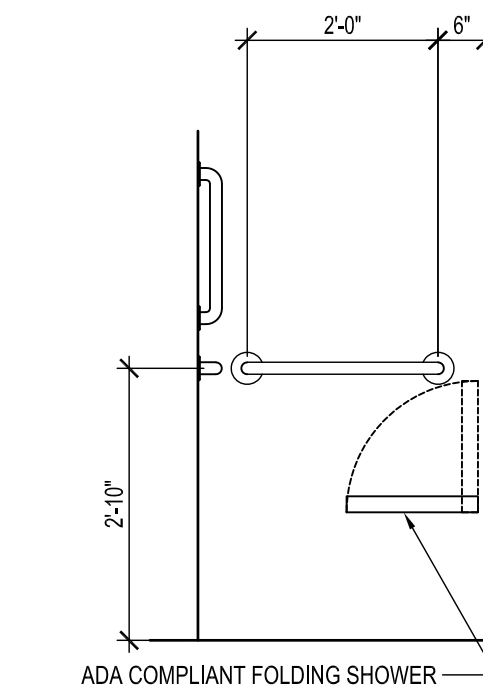
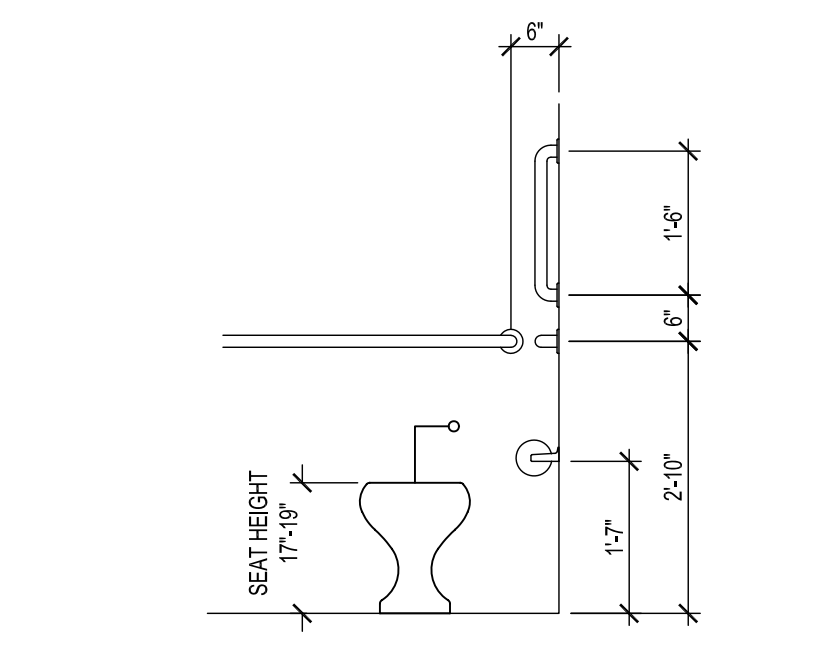
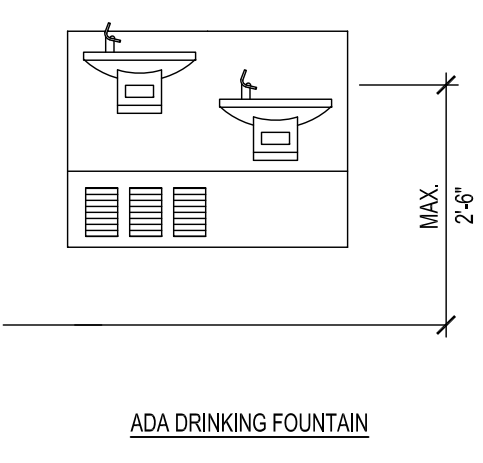
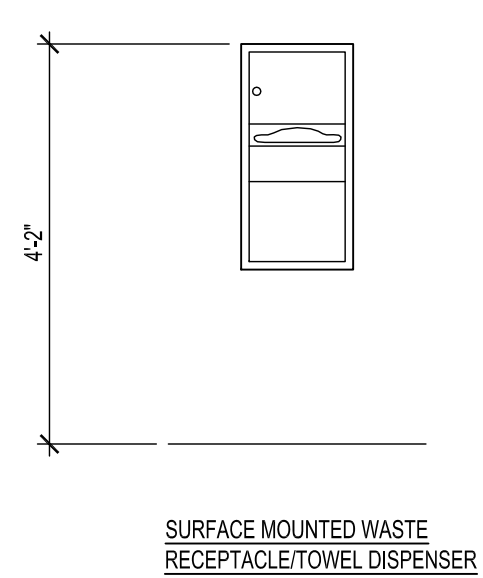
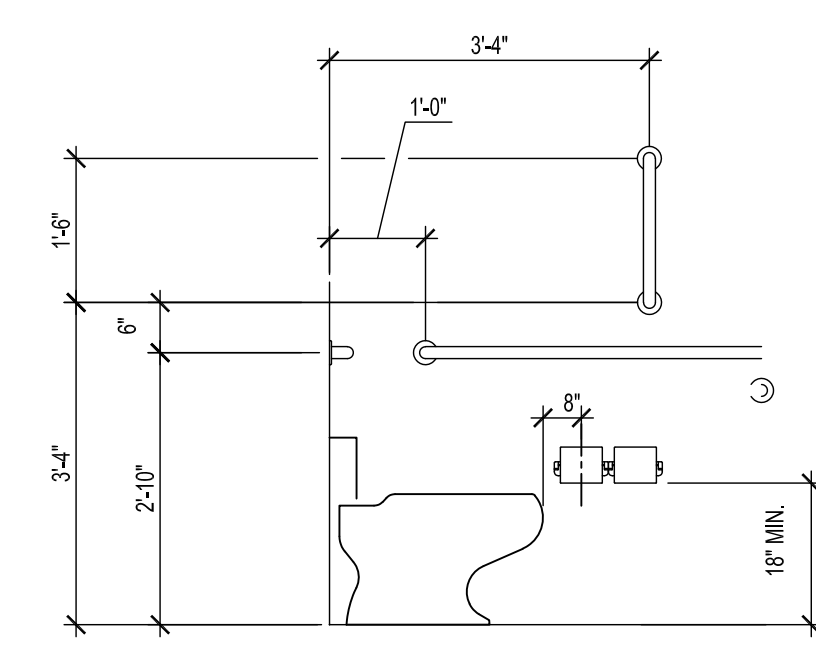
DES.	DESCRIPTION	MOUNTING HT. TOP = TOP CL = CENTERLINE BT = BOTTOM
A	FRAMELESS MIRROR	40" (BT)
B	SOAP DISPENSER	40" (CL)
C	TOILET TISSUE HOLDER	19" (CL)
D	SURFACE MOUNTED TOWEL DISPENSER/WASTE RECEPTACLE	50" (TOP)
E	36" HANDRAIL	35" (CL)
F	42" HANDRAIL	35" (CL)
G	18" HANDRAIL	40" (BT)
H	24" X 36" COMPLIANT MIRROR	40" (BT)
I	TOWEL HOOKS	48" (CLR)
J	UNDER LAVATORY PIPE PROTECTION	-
K	TACTILE RESTROOM SIGNAGE	48" (BT)
L	SANITARY NAPKIN DISPOSAL	-
M	MOP AND BROOM HOLDER	-



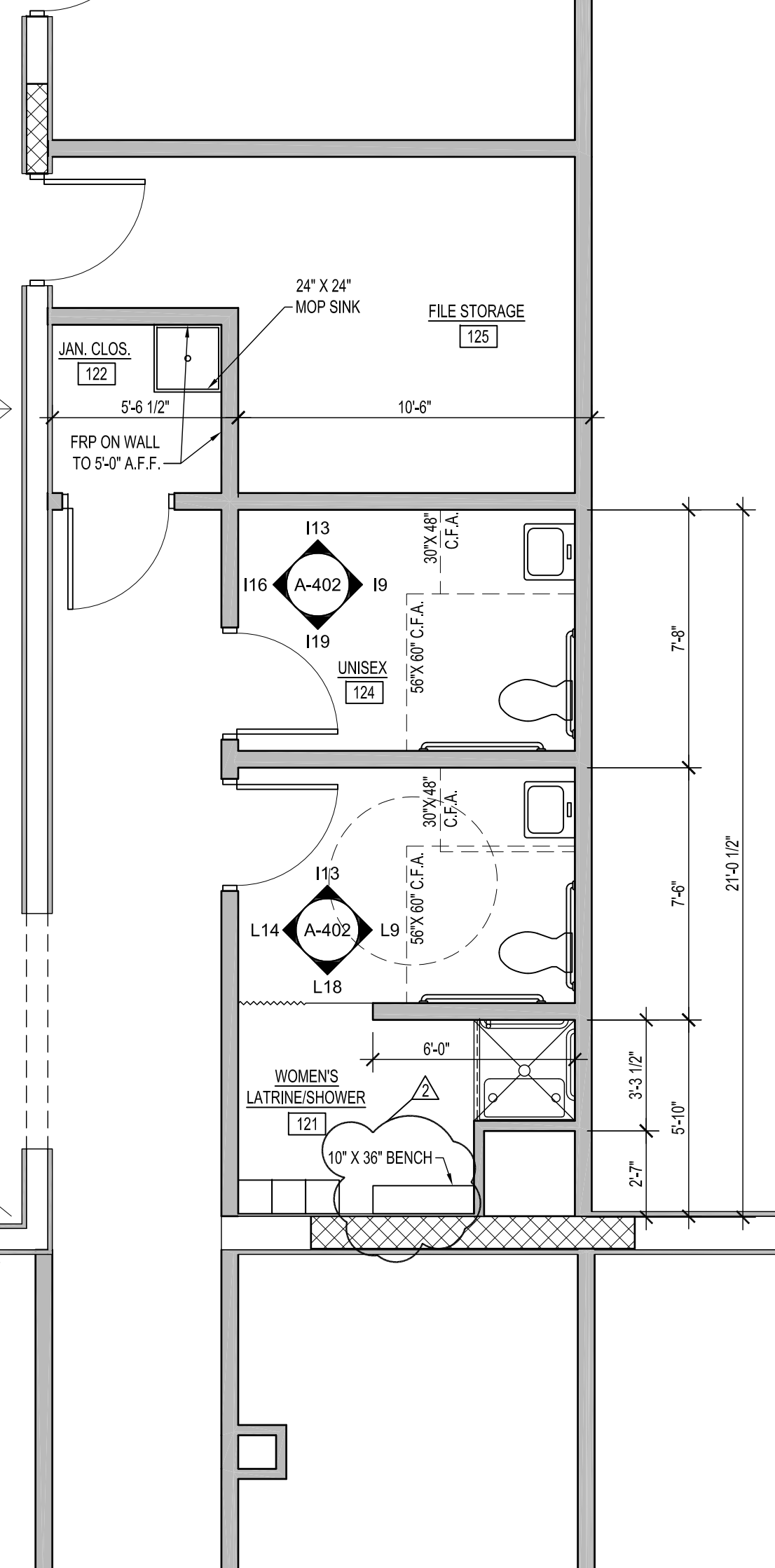
11 ACCESSORY SCHEDULE

15 TOILET ACCESSORY PLAN

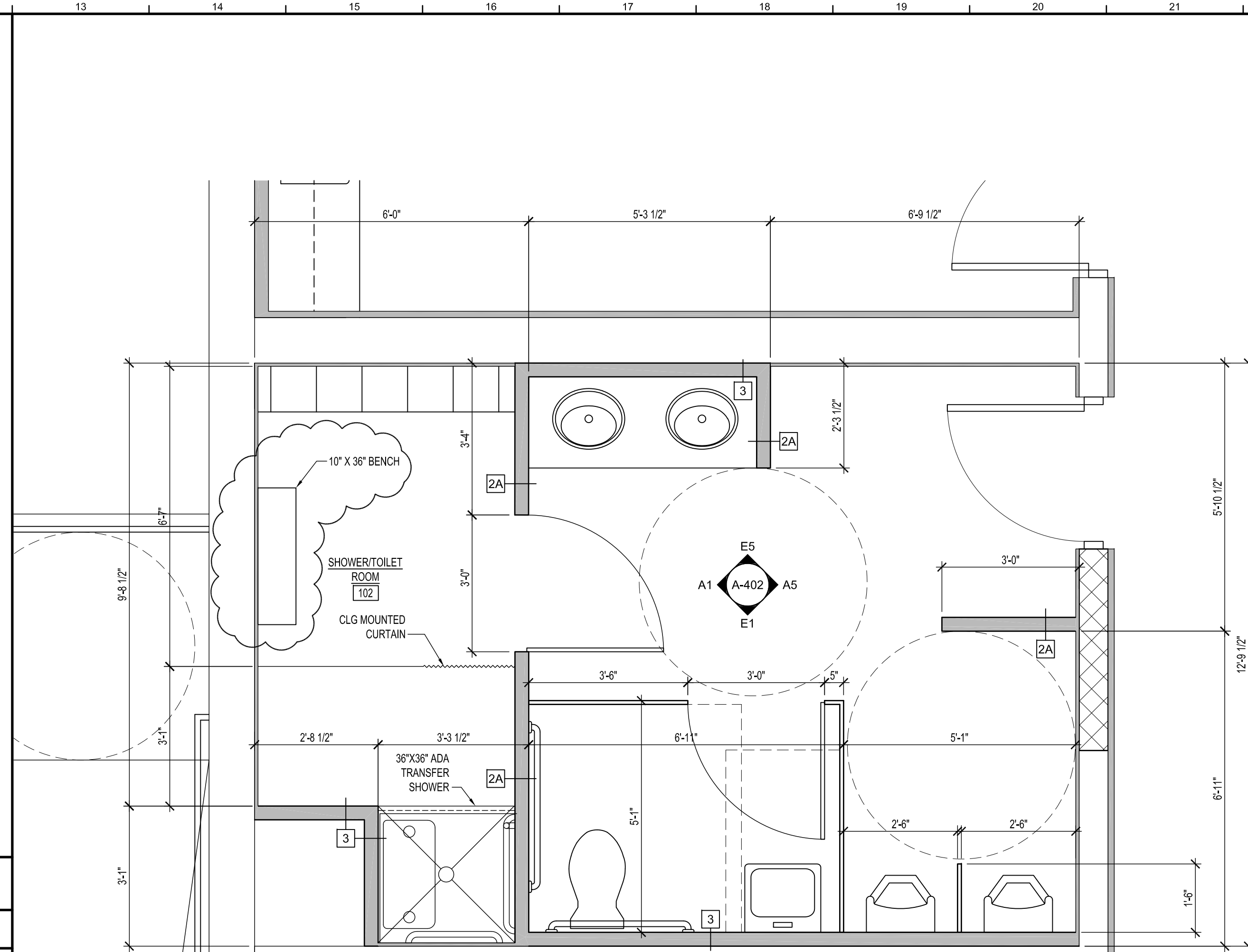
19 TOILET ACCESSORY PLAN



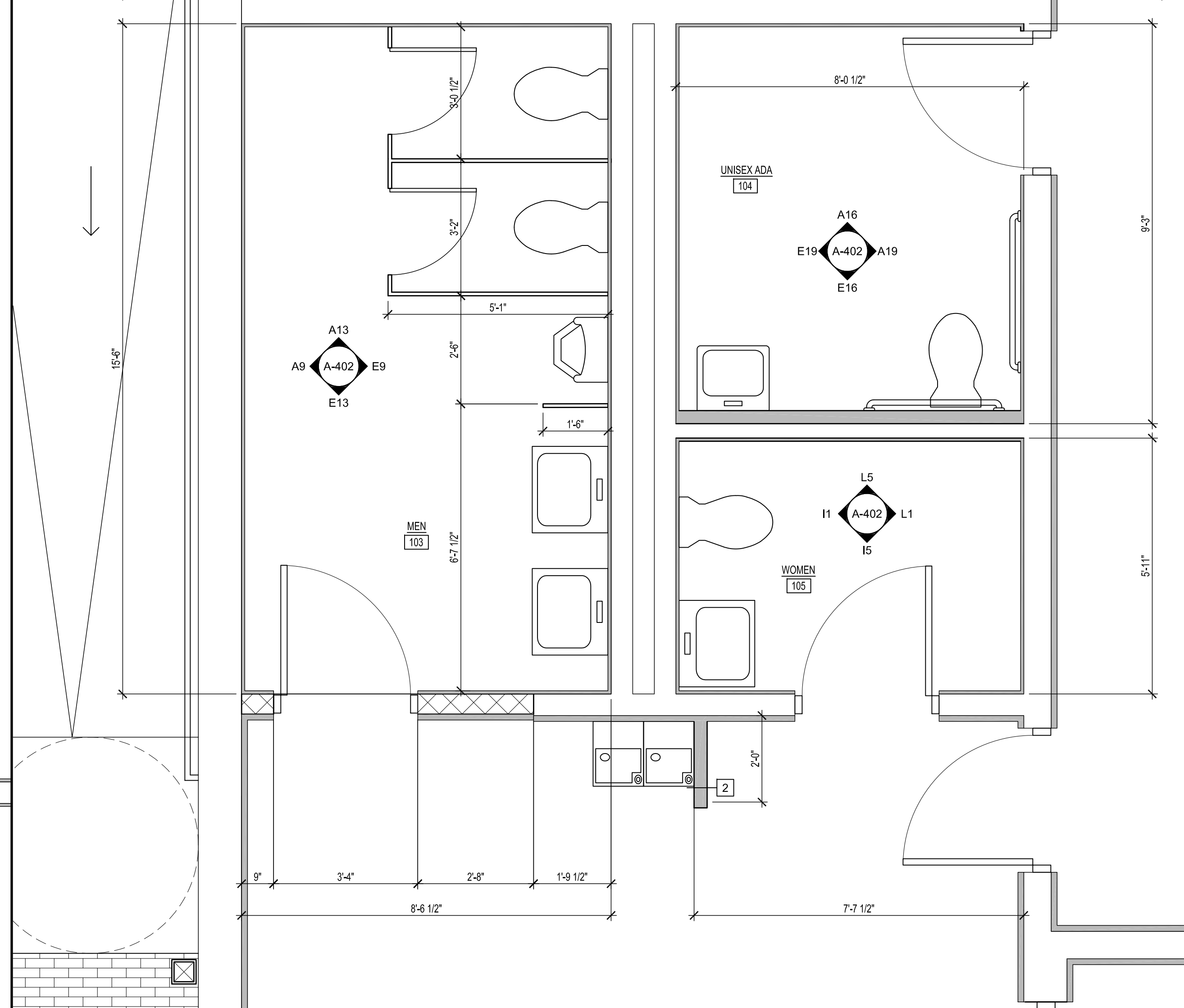
A1 TYP. ADA MOUNTING HEIGHTS



A9 PLAN @ TOILET 121 & 124



A14 PLAN @ TOILETS 102, 103, 104, & 105



DATE	COMMENTS
11/08/23	15%/30% DESIGN SUBMISSION
01/10/24	60% DESIGN SUBMISSION
02/19/24	A&B SUBMISSION
02/23/24	PRE MARSHAL SUBMISSION
04/03/24	PRE MARSHAL COMMENTS
05/10/24	60% DESIGN SUBMISSION
07/16/24	BID DRAWINGS
	ADDED/REVISED

Date: MAY 10, 2024
Scale: AS NOTED
Dwn.By: PJT
Proj.No.: 0586B053.A01

ENLARGED TOILET PLAN AND ACCESSORY PLAN

Dwg.No.: **A-401**