



Varco Pruden - Duracurb information

From Tally Beck <tbeck@kccmfg.com>
Date Fri 1/17/2025 11:41 AM
To Bill Byler <bill@wbjarchitect.com>

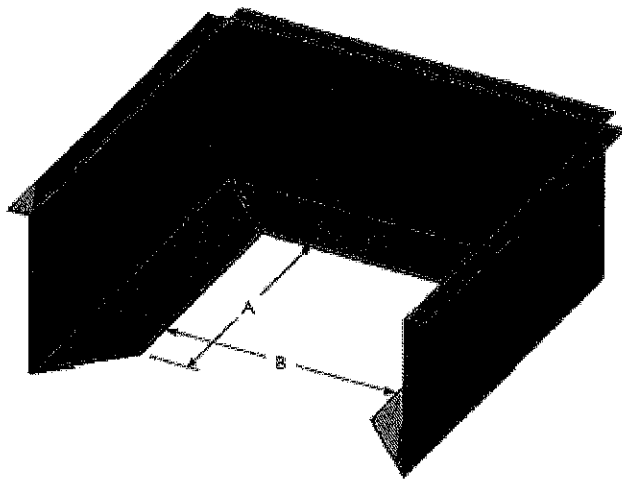
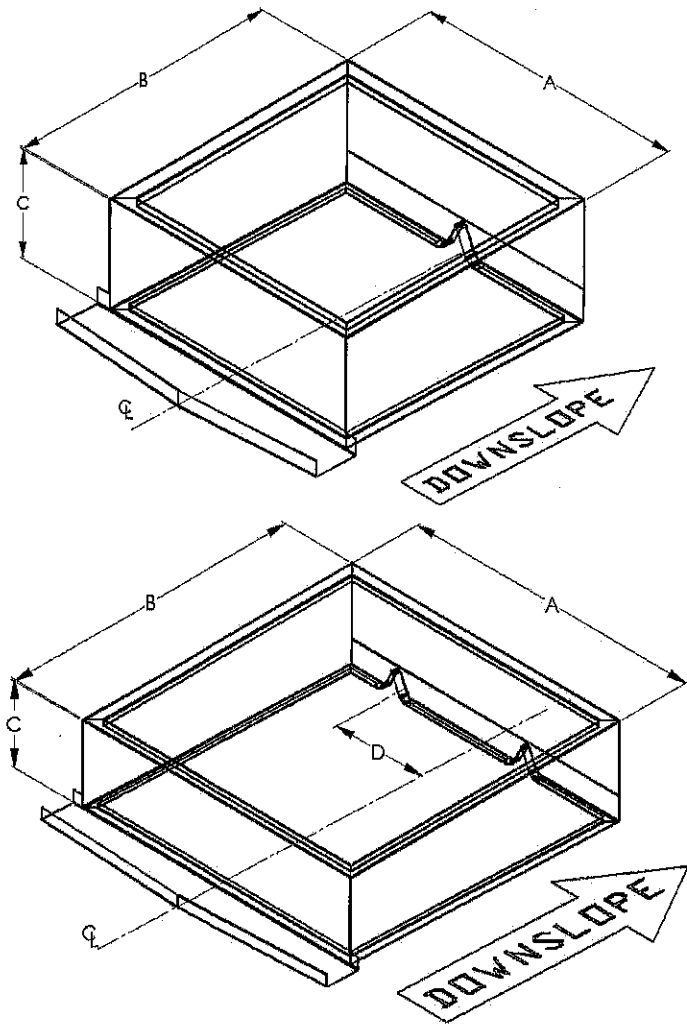
3 attachments (4 MB)

Duracurb Order Form 052720v6.pdf; 4020-DuraCurbInstallationGuide.pdf; KCC VP Duracurb Support Channel Types.pdf;

Thank you for calling,

As discussed here is the information for installation of the Duracurb on the VP roof. Page 9 starts discussing cutting the hole in the roof and page 12 installing the support channels. I did attach a selection of the channels available and knowing which clip is on the roof will help determine which channel to use. As mentioned the Duracurb comes with all VP approved installation materials including support channels, sealants & fasteners.

I also am attaching an order form, if you want to fill out the basic information with project name, ship to city/state, if there is thermalift or thermodeck (if known), roof pitch, and then the curbs and qty you need. If you have the submittals you mentioned that would be great. If you need damper trays I can add those in since it would be a drop in style tray to work properly with the DuraCurb. Below are a few sample images. One with rib on center, the other ribs 12" each side of centerline.



SAMPLE IMAGE - DROP IN DAMPER TRAY
partial view

TALLY BECK
Project Manager

tbeck@kccmfg.com
O: 502.493.5806
T: 800.382.2872

OUR PAYMENTS REMIT TO ADDRESS: PO BOX 99369 LOUISVILLE, KY 40269-0369

OUR UPS/FEDEX ADDRESS: 2716 GRASSLAND DR. LOUISVILLE, KY 40299



2716 Grassland Drive
Louisville, KY 40299
www.kccmfg.com



DuraCurb Quote/Order Information
Email to: DuraCurb@kcccurbs.com
or Call: 502-491-9881

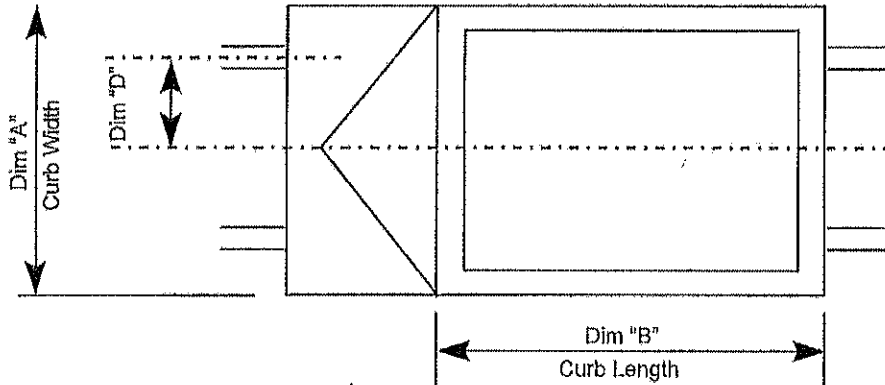
Customer Name: _____
 Address: _____
 City: _____ State: _____ Zip Code: _____
 Contact Name: _____ Email Address: _____
 Phone Number: _____ Cell Number: _____
 Date Quote Required: _____ Requested Delivery Date: _____

ORDER INFORMATION: *The following information will be needed when inquiring about curb prices.*

Roof Panel Type: _____ SSR _____ SLR II
Roof Finish/Color: _____ Galvalume _____ Painted
Roof Insulation: _____ Blanket w/Thermal Block _____ Rigid Board (1 1/2" min, 2 1/2" max)
 _____ Blanket w/Super Block _____ Solid Decking
 _____ Blanket Only _____ **Specify Blanket Thickness**
Thermalift System: _____ Yes (if yes, choose purlin type) _____ 'Z' Purlins _____ Truss Purlins
Thermodeck System: _____ Yes (if yes, provide insulation thickness) _____ Insulation Thickness

Project Name: _____
 *City: _____ *State: _____ *Zip Code: _____
 *Information needed to calculate freight charges

*DIM D = Distance between centerline of curb and centerline of first panel seam to the right of curb center as shown.



QUOTE NOTE: When bidding you may not know all the specific locating information requested. However, we will quote a firm price, that Varco Pruden Buildings, a division of BlueScope Buildings North America, Inc., will stand behind, even though the exact location of the curb(s) will only be known at the time of order. It will be necessary to have all the information included when your order is submitted.

ORDER INFORMATION CONT'D

New Building _____ Existing Building _____

Page _____ of _____

Building Location: _____

ITEM #	QTY	DIM "A" WIDTH	DIM "B" WIDTH	DIM "C" WIDTH	DIM "D"	ROOF SLOPE	PURLIN SPACING/ # OF PURLINS	TYPE OF PRODUCT SUPPORTED (HVAC, FAN, HATCH, PIPE, ETC)	PRODUCT MFR/MODEL #	UNIT WEIGHT	SEE FOOTNOTE #'s (BELOW)
1											
2											
3											
4											
5											
6											
7											
8											
9											
10											
11											
12											
13											
14											
15											
16											
17											
18											
19											
20											

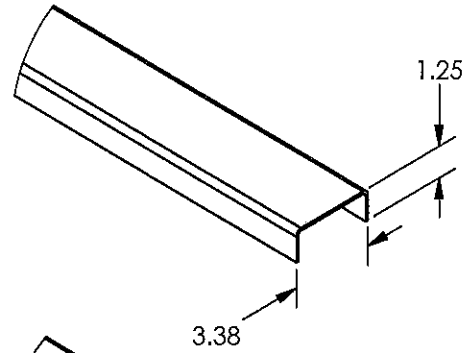
FOOTNOTES: *Special notes of conditions that will affect the price/fabrication of curb (i.e., ridge mount, obstacles, etc.)*

QUOTE NOTE: When bidding you may not know all the specific locating information requested. However, we will quote a firm price, that Varco Pruden Buildings, a division of BlueScope Buildings North America, Inc., will stand behind, even though the exact location of the curb(s) will only be known at the time of order. It will be necessary to have all the information included when your order is submitted.

VP DURACURB SUPPORT CHANNELS

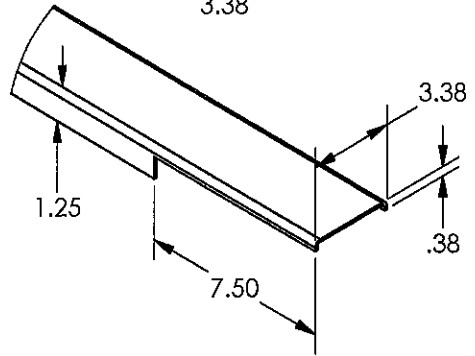
TYPE 1 SIDE SUPPORT CHANNEL

1" SPACER BLOCK



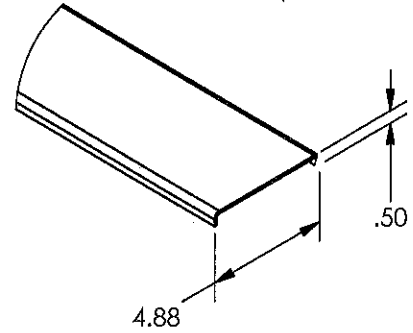
TYPE 2 SIDE SUPPORT CHANNEL

NO SPACER BLOCK

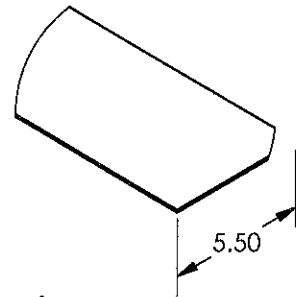


TYPE 3 SIDE SUPPORT CHANNEL

METAL OVER METAL APPLICATION

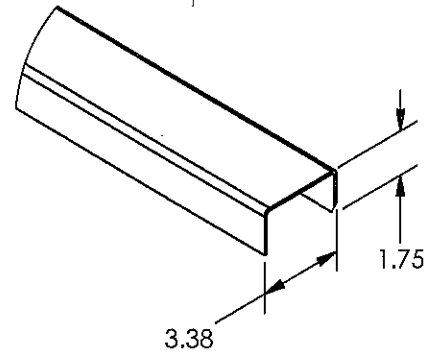


TYPE 4 SIDE SUPPORT CHANNEL



TYPE 5 SIDE SUPPORT CHANNEL

TALL CLIPS



FOLDER: C:\Metal Building Curbs\Side Support Channels\



2716 Grassland Drive
Louisville, KY 40299
1-800-382-2872
Fax: (502) 491-1739

DRAWN BY:	DATE:
MPJ	12/17/2019

DIMENSIONS ARE IN INCHES
UNLESS OTHERWISE NOTED

SIDE SUPPORT CHANNELS

MATERIAL: 12 GAGE (0.1046") GALVANIZED G90

REV.
B