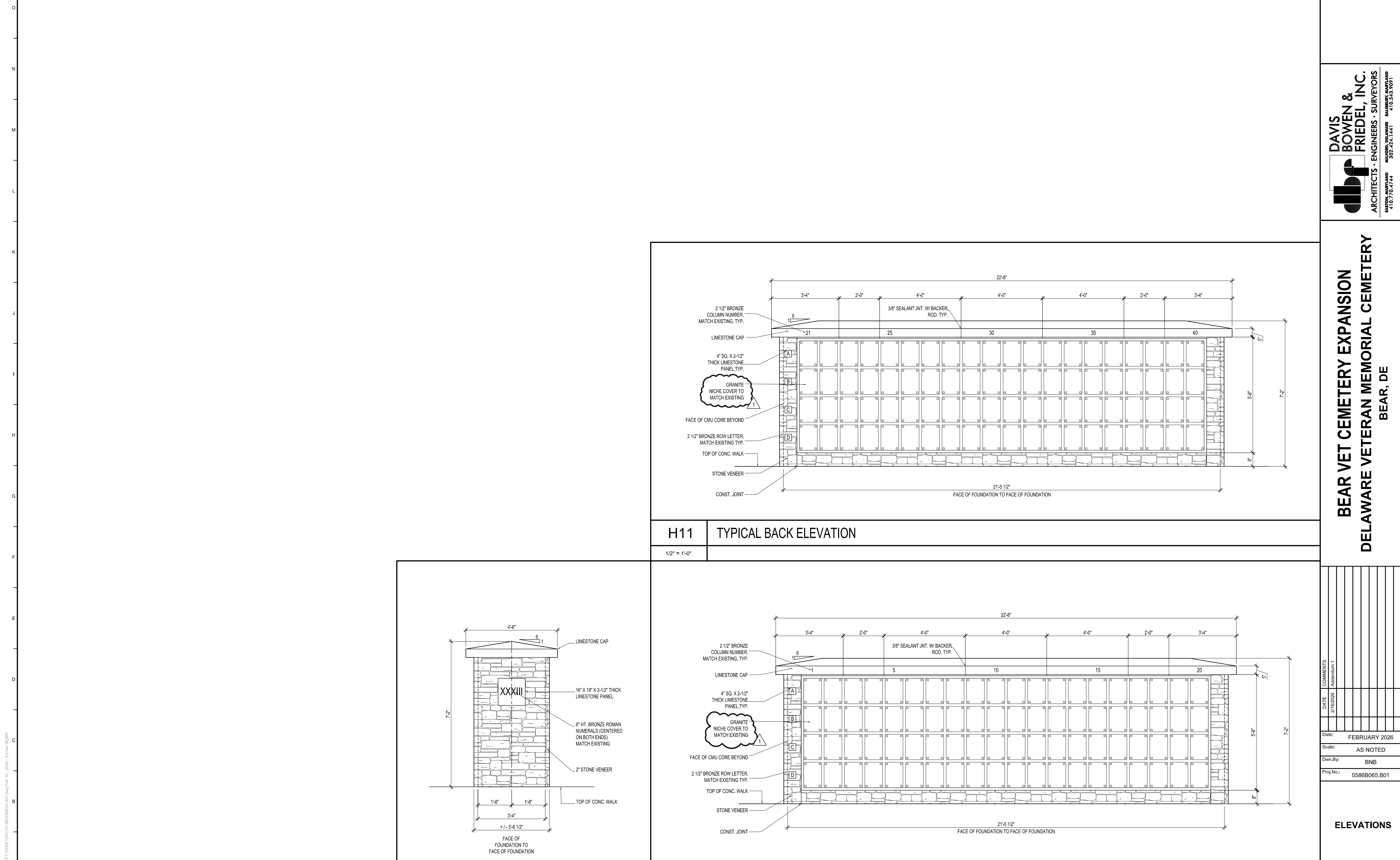


1 2 3 4 5 6 7 8 9 10 11 12 13 14 15 16 17 18 19 20 21



BEAR VET CEMETERY EXPANSION
DELAWARE VETERAN MEMORIAL CEMETERY
 BEAR, DE

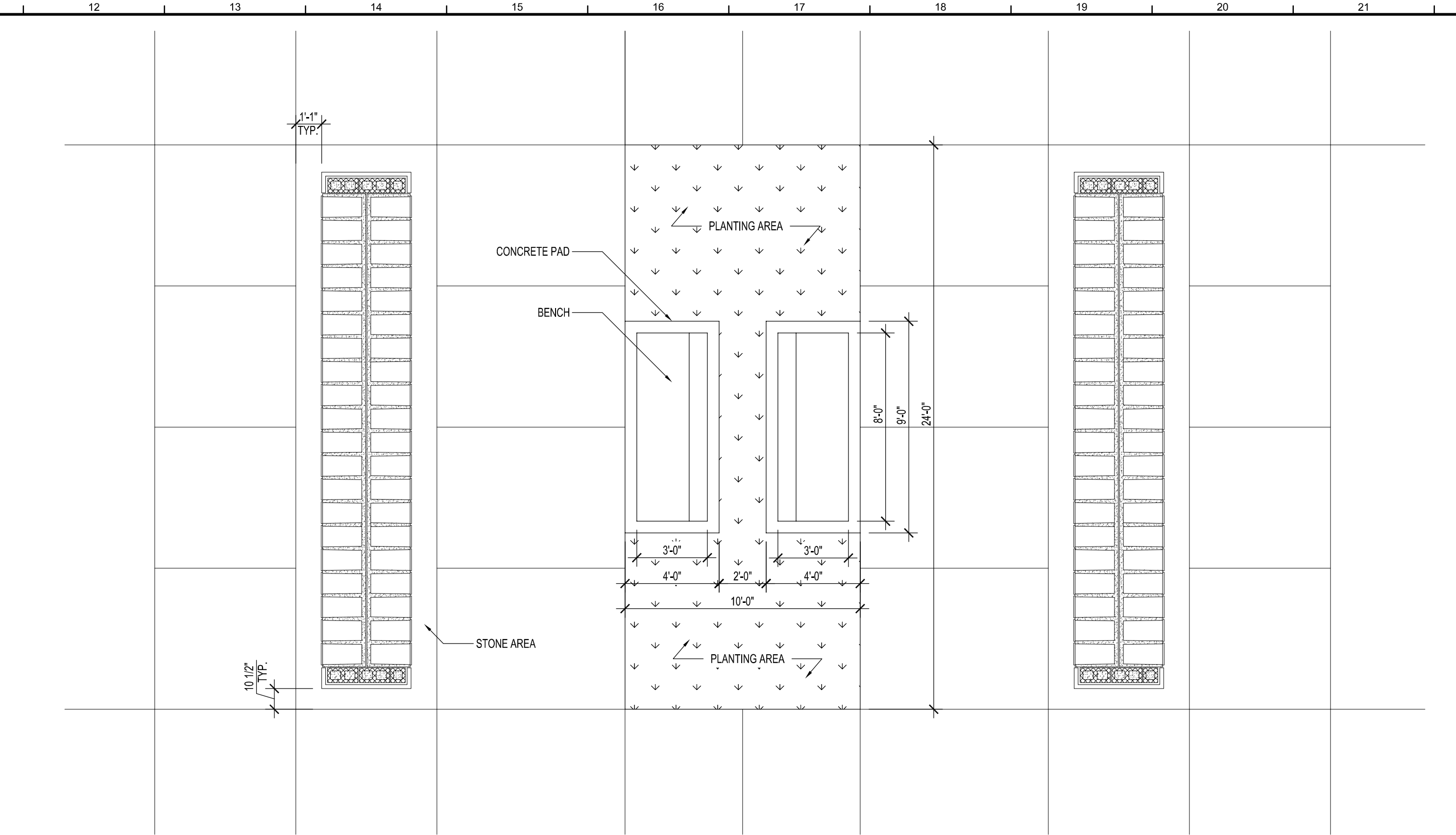
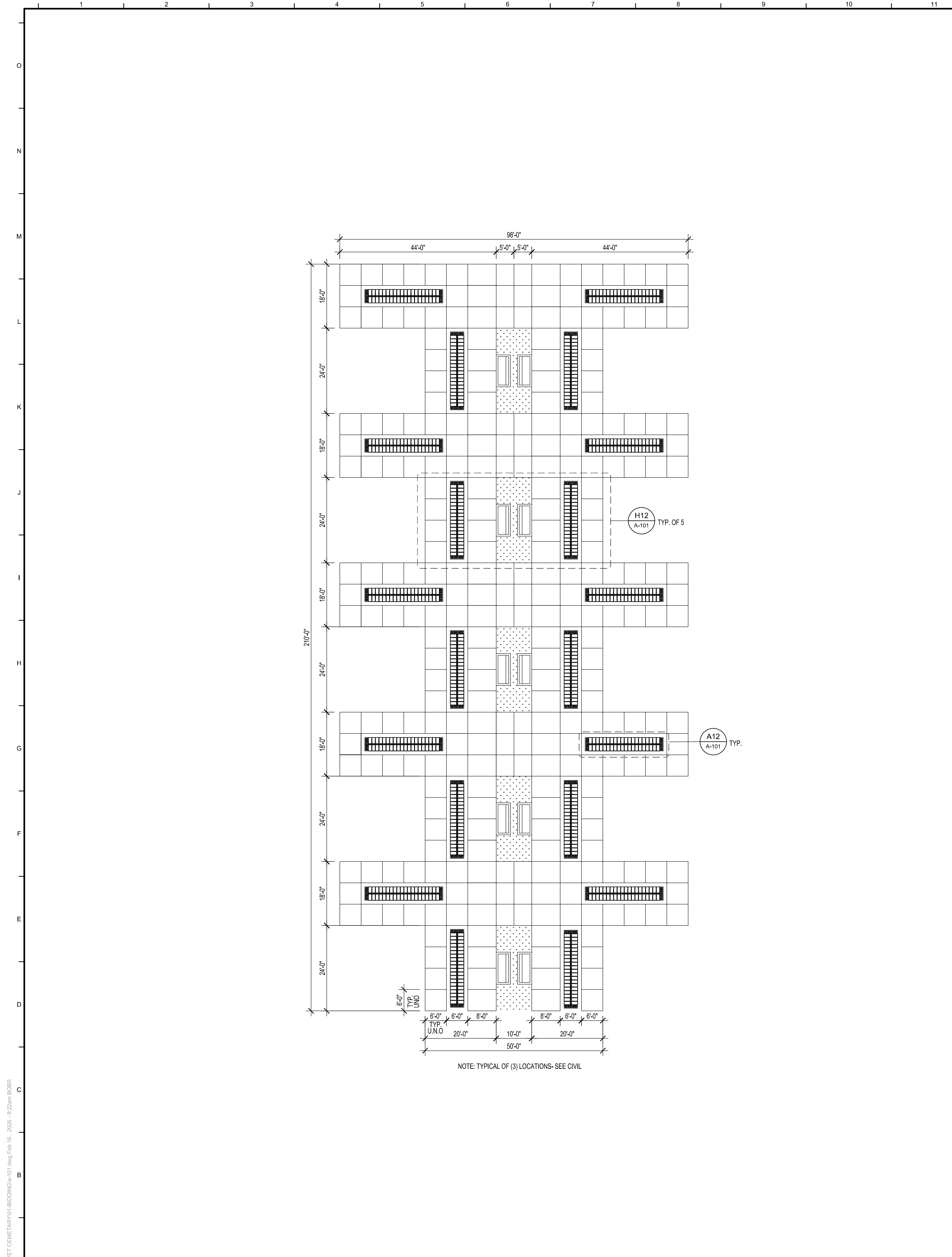
DATE	COMMENTS
2/16/2026	Adendum 1

Date: FEBRUARY 2026
 Scale: AS NOTED
 Dwn.By: BNB
 Proj.No.: 0586B065.B01

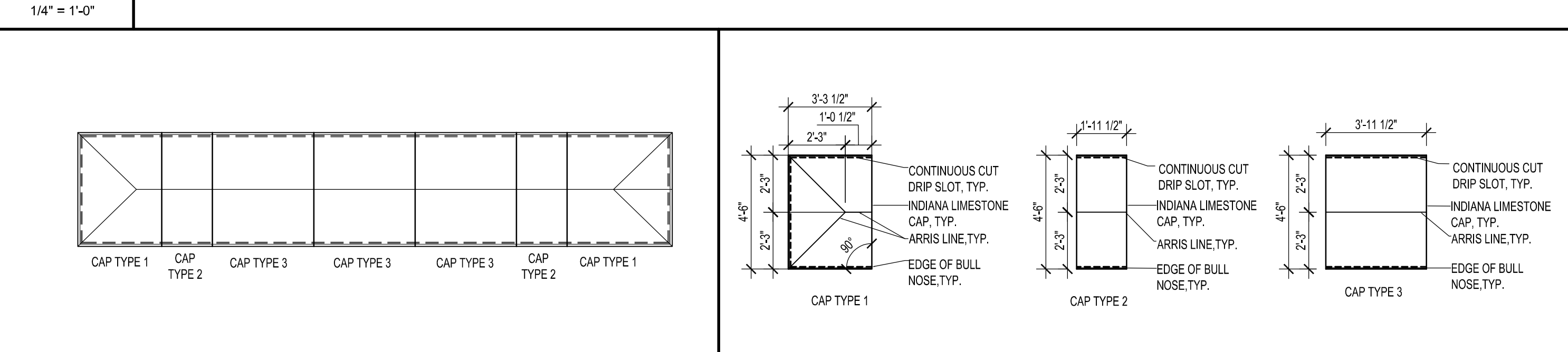
ELEVATIONS

Dwg.No.: **A-201**

R:\0586B065.B01 - DE VET CEMETERY\01-BIDDING-A-201.dwg Feb 16, 2026 - 10:21 am BNB:RS

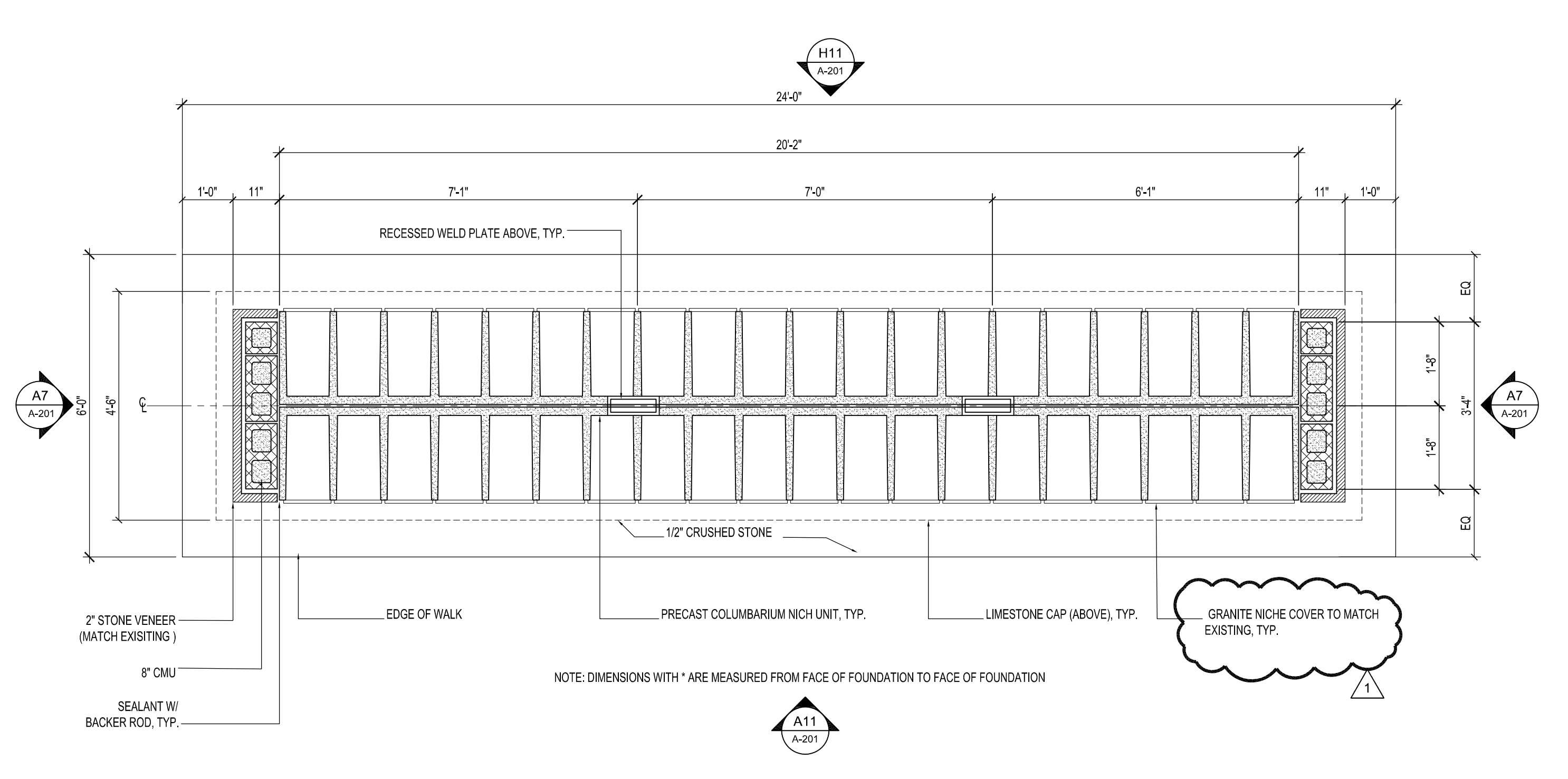


H12 PLAN @ BENCH AND COLUMBARIUM
1/4" = 1'-0"



F12 TYPICAL CAP PLAN
1/4" = 1'-0"

F17 CAP TYPES
1/4" = 1'-0"



A12 TYPICAL COLUMBARIUM PLAN
1/2" = 1'-0"

A1 TYPICAL PLAN
1/16" = 1'-0"

DAVIS BOWEN & FRIEDEL, INC.
ARCHITECTS • ENGINEERS • SURVEYORS
MILFORD, DELAWARE 302.424.1441
BALTIMORE, MARYLAND 410.767.7447

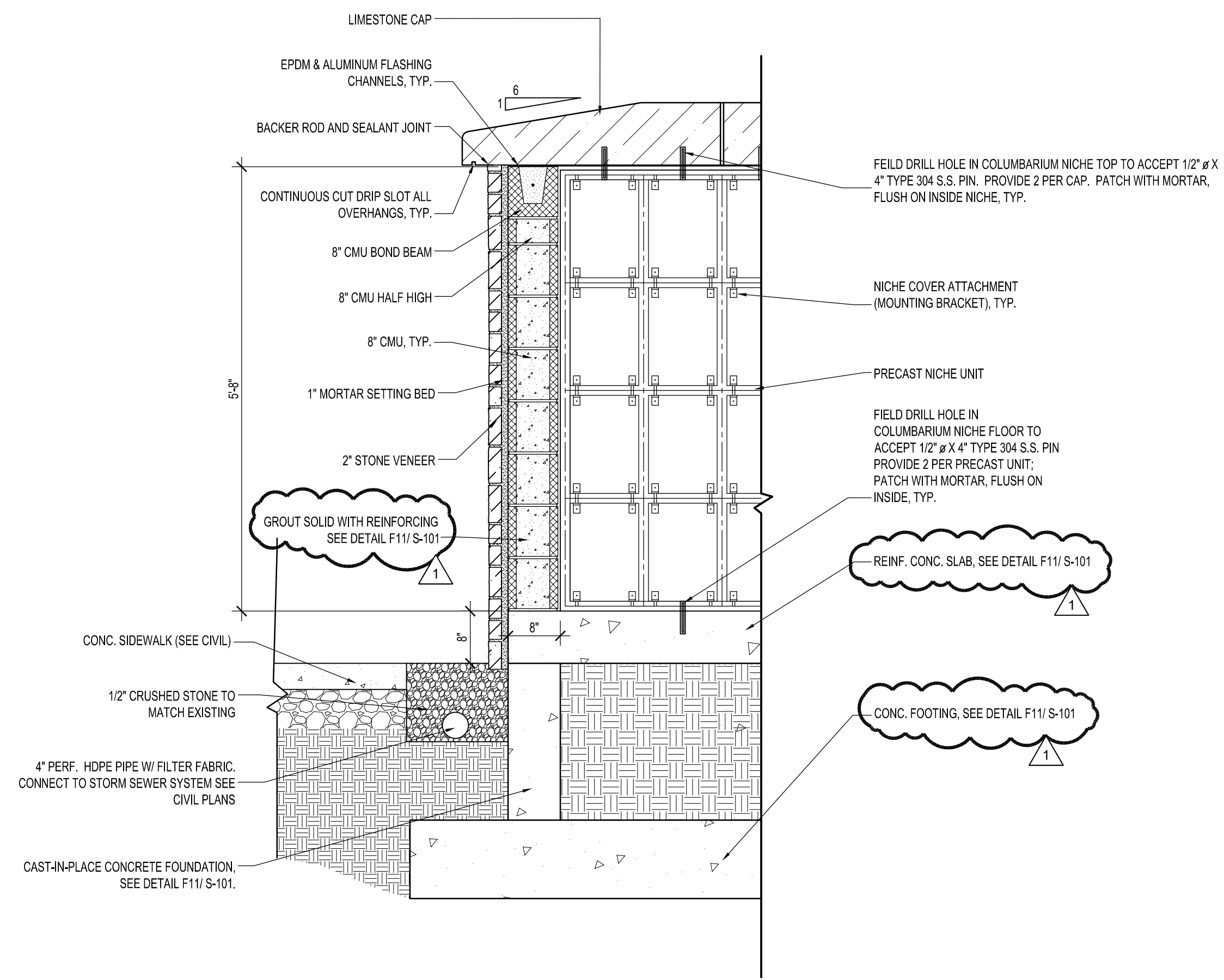
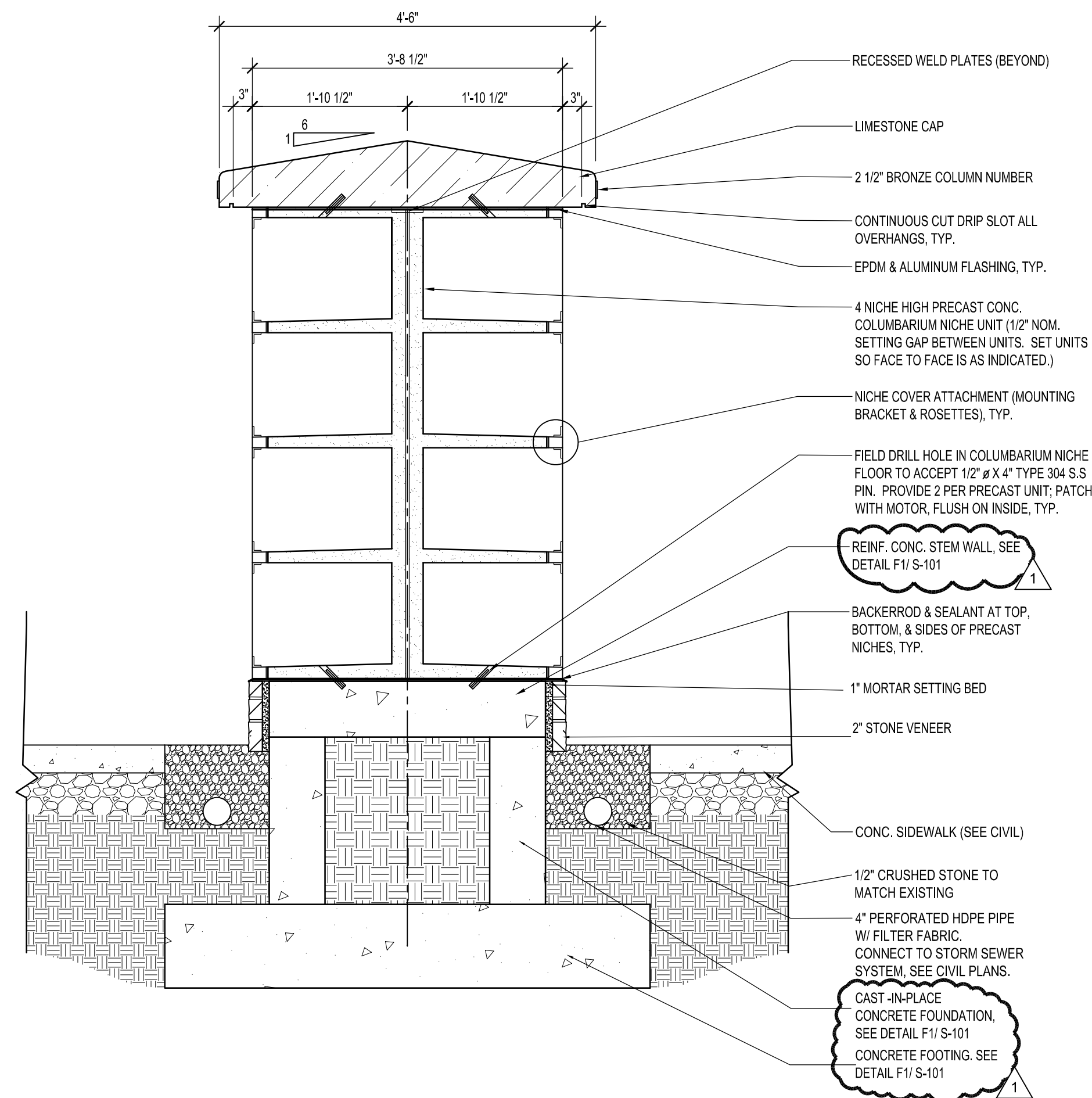
BEAR VET CEMETERY EXPANSION
DELAWARE VETERAN MEMORIAL CEMETERY
BEAR, DE

DATE	COMMENTS
2/16/2026	Adendum 1

Date: FEBRUARY 2026
Scale: AS NOTED
Dwn.By: BNB
Proj.No.: 0586B065.B01

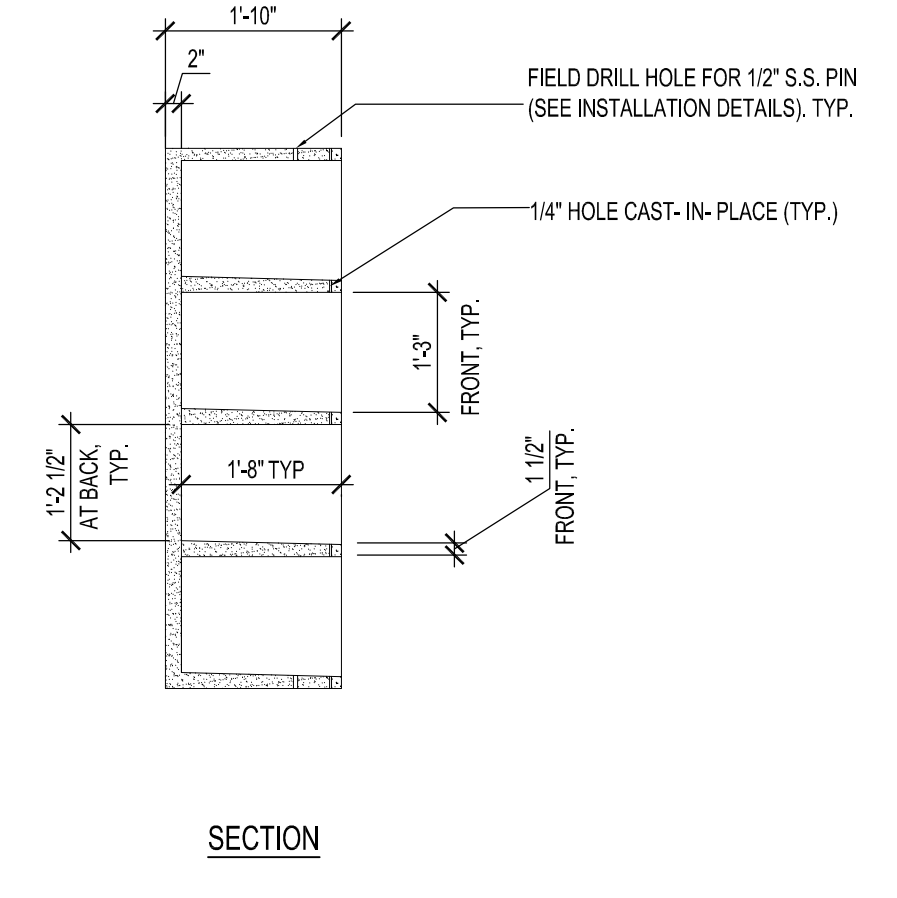
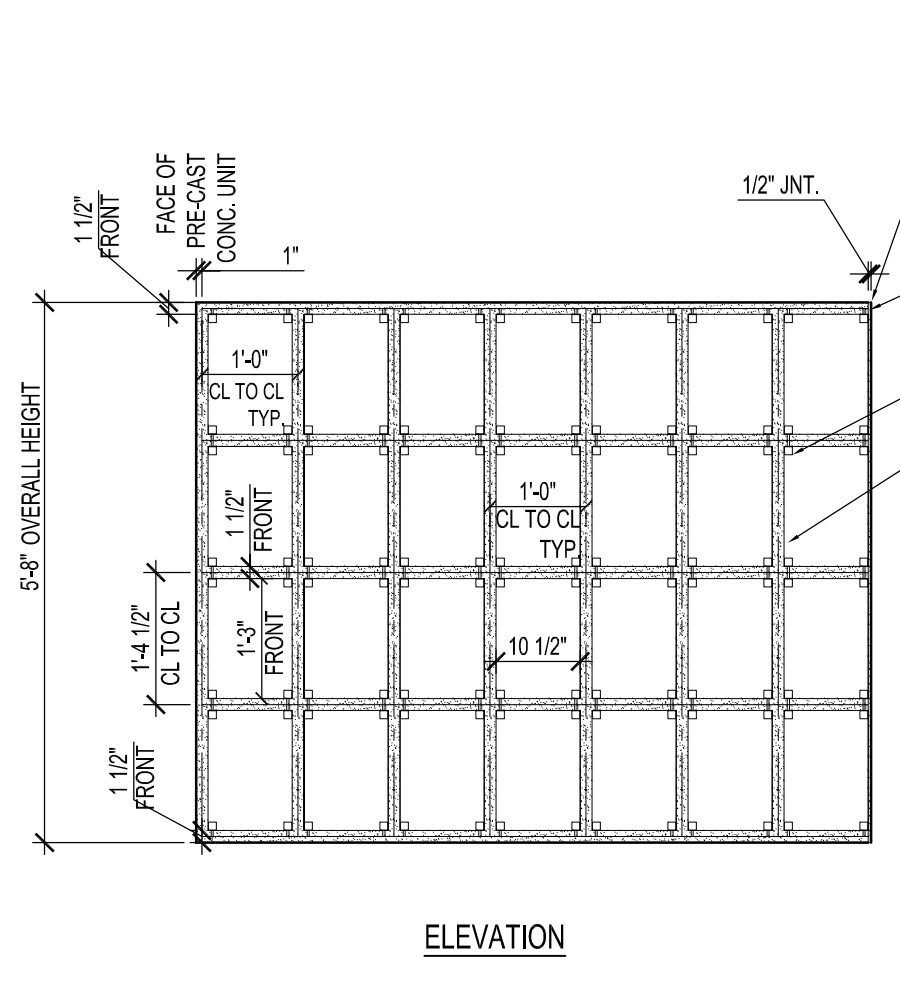
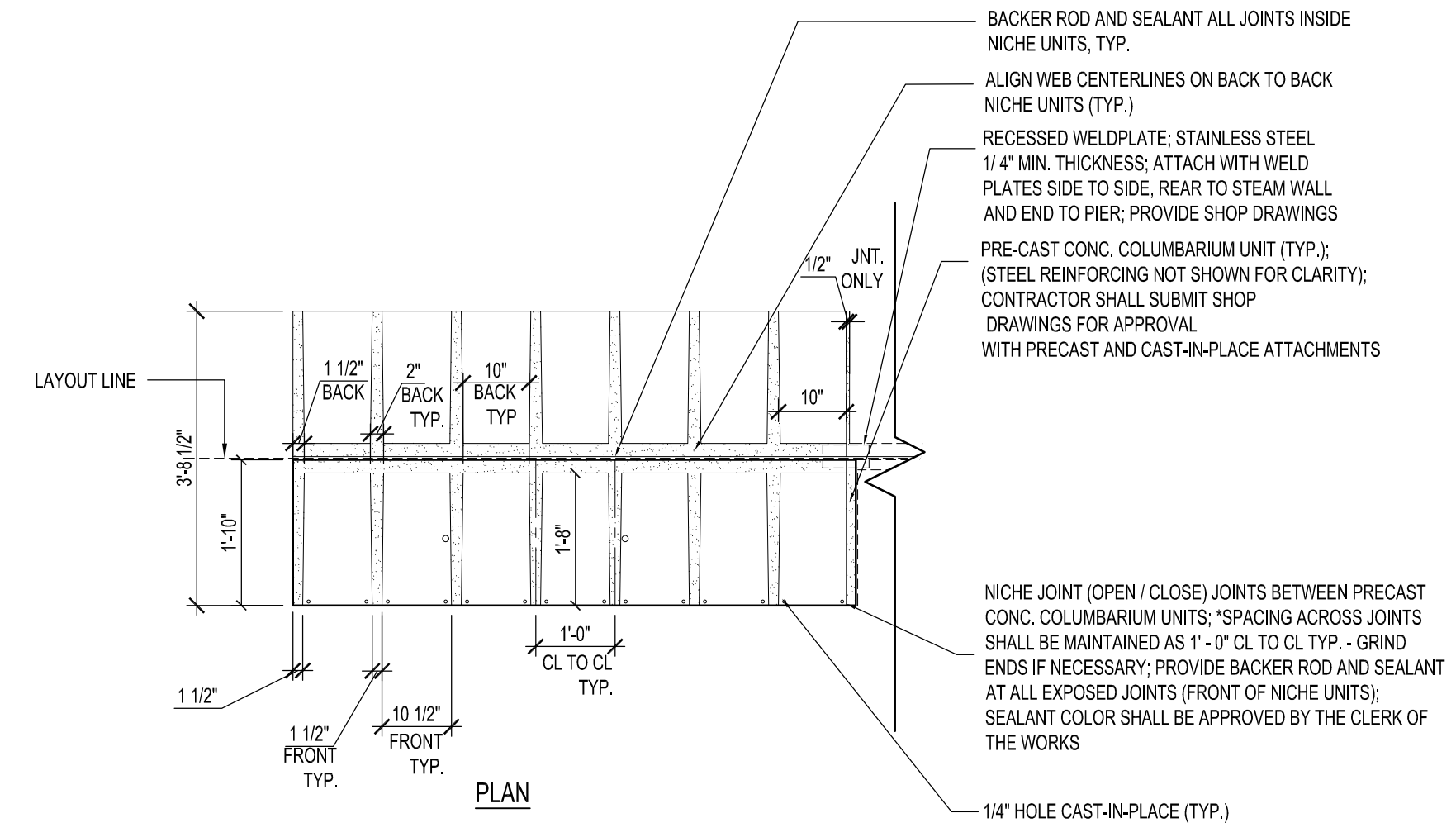
PLANS

Dwg.No.: **A-101**



F1 COLUMBARIUM WALL SECTION

F11 COLUMBARIUM PIER SECTION



A1 PRECAST CONCRETE COLUMBARIUM UNITS

DATE	COMMENTS
2/16/2026	Adendum 1

Date: FEBRUARY 2026
 Scale: AS NOTED
 Dwn.By: BNB
 Proj.No.: 0586B065.B01

